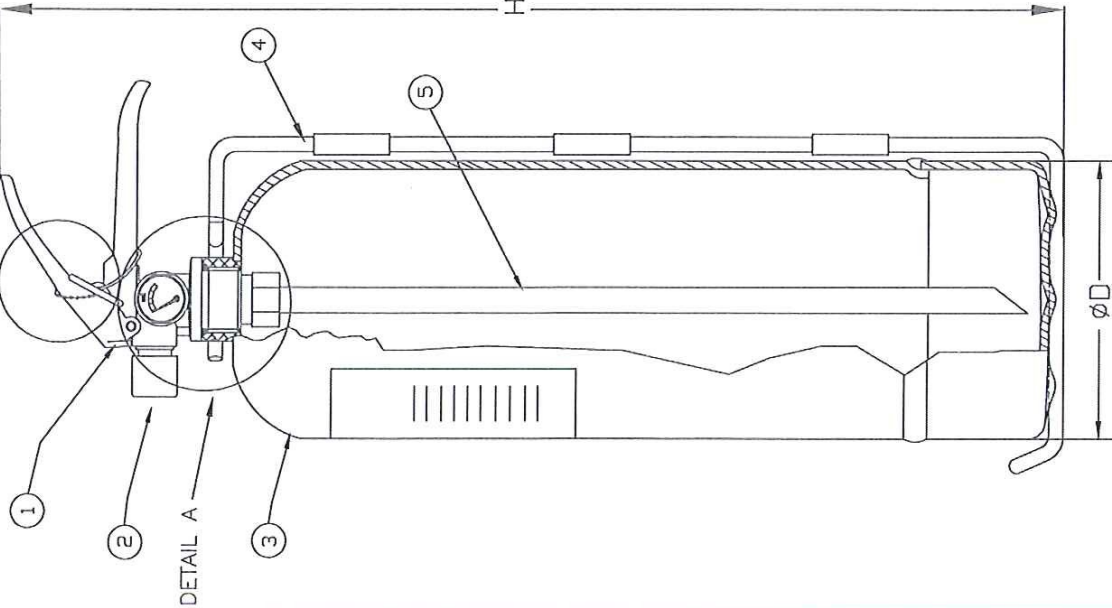
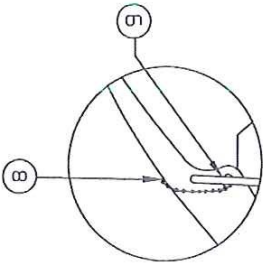


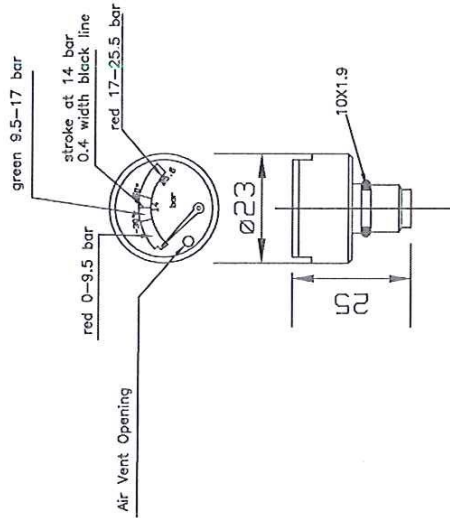
DETAIL B



DETAIL A



DETAIL B



Technical Specification

DETAIL A	
CAPACITY	2kg ±3%
OVERALL WEIGHT	3.7kg ±5%
CYLINDER DIAMETER	φ109.5mm
OVERALL HEIGHT	400.0±5.0mm
MATERIAL THICKNESS(CYL)	1.5mm
VOLUME	2.5L
MIN. TENSILE STRENGTH	280N/mm ² (2800mpa)
TEST PRESSURE	28bar (392.5psi) min 30s
WORKING PRESSURE	14bar (203psi)
MIN. BURST PRESSURE	65bar (942.5psi)
DISCHARGE TIME	8 - 12 sec
FIRE RATING	13A, 99B
TEMPERATURE RANGE	-20°C To 60°C
DESIGN	Manufactured and approved to EN-3
POWDER TYPE / M.A.P. CONTENT	ABC 80
FINISHING	Epoxy Powder Coating Red

ITEM	PART NO	DESCRIPTION	MATERIAL	QTY
•	FEX144-80-ABC-BL	POWDER ABC 80 BLUE	-	-
•	CTN100-PP-020	CARTON BOX 2.0KG EURO	150/M ² BAF	1
9	FEC116-S5	SAFETY PIN	STAINLESS STEEL	1
8	FEC117-PS-EN	PULL TAG BROOKS-EN	P.P	1
7	DRS215-RB-9K	M30-ORING 215(I.D 26.57 x 3.53)	NITRILE 70	1
6	FEC165-014-GR	PRESSURE GAUGE 14BAR DIAPHRAGM GR	-	1
5	FEC052-PS-020-AS	AS 2KG DIP TUBE LENGTH 292.0mm	P.V.C	1
4	FEX002-MS-TP4-ZP	2KG VEHICLE BRACKET	GALV.HILD STEEL	1
3	FEC004-MS-020-RO	2KG CYLINDER EURO	COLD ROLLED STEEL 1.5mm	1
2	FEC026-PS-020-BL	2KG DISCHARGE NOZZLE(φ4.5)	NYLON	1
1	FEC053-01H-M30	EURO VALVE M30	CHROME FORGE BRASS CZ1.02	1

UNLESS OTHERWISE STATED
DIMENSION IN MILLIMETRES

TOLERANCE

LINEAR :

ANGULAR :

REVISION : 06



WALKING
LIFE-SAVING EQUIPMENT

DRN. QA ENC. *[Signature]*

APPD. 1 QA MGR *[Signature]*

APPD. 2 FAC. MGR

ISSUED 20 MAR 2019

DRN. NO. FEQUA - VK

ARTICLE NO. 1055695

FINISH : RED

MATERIAL :

DRN. QA ENC. *[Signature]*

APPD. 1 QA MGR *[Signature]*

APPD. 2 FAC. MGR

ISSUED 20 MAR 2019

UNLESS OTHERWISE STATED
DIMENSION IN MILLIMETRES

TOLERANCE

LINEAR :

ANGULAR :

REVISION : 06



WALKING
LIFE-SAVING EQUIPMENT

DRN. QA ENC. *[Signature]*

APPD. 1 QA MGR *[Signature]*

APPD. 2 FAC. MGR

ISSUED 20 MAR 2019

DRN. NO. FEQUA - VK

ARTICLE NO. 1055695

FINISH : RED

MATERIAL :

DRN. QA ENC. *[Signature]*

APPD. 1 QA MGR *[Signature]*

APPD. 2 FAC. MGR

ISSUED 20 MAR 2019

UNLESS OTHERWISE STATED
DIMENSION IN MILLIMETRES

TOLERANCE

LINEAR :

ANGULAR :

REVISION : 06



WALKING
LIFE-SAVING EQUIPMENT

DRN. QA ENC. *[Signature]*

APPD. 1 QA MGR *[Signature]*

APPD. 2 FAC. MGR

ISSUED 20 MAR 2019

DRN. NO. FEQUA - VK

ARTICLE NO. 1055695

FINISH : RED

MATERIAL :

DRN. QA ENC. *[Signature]*

APPD. 1 QA MGR *[Signature]*

APPD. 2 FAC. MGR

ISSUED 20 MAR 2019

UNLESS OTHERWISE STATED
DIMENSION IN MILLIMETRES

TOLERANCE

LINEAR :

ANGULAR :

REVISION : 06



WALKING
LIFE-SAVING EQUIPMENT

DRN. QA ENC. *[Signature]*

APPD. 1 QA MGR *[Signature]*

APPD. 2 FAC. MGR

ISSUED 20 MAR 2019

DRN. NO. FEQUA - VK

ARTICLE NO. 1055695

FINISH : RED

MATERIAL :

DRN. QA ENC. *[Signature]*

APPD. 1 QA MGR *[Signature]*

APPD. 2 FAC. MGR

ISSUED 20 MAR 2019

UNLESS OTHERWISE STATED
DIMENSION IN MILLIMETRES

TOLERANCE

LINEAR :

ANGULAR :

REVISION : 06



WALKING
LIFE-SAVING EQUIPMENT

DRN. QA ENC. *[Signature]*

APPD. 1 QA MGR *[Signature]*

APPD. 2 FAC. MGR

ISSUED 20 MAR 2019

DRN. NO. FEQUA - VK

ARTICLE NO. 1055695

FINISH : RED

MATERIAL :

DRN. QA ENC. *[Signature]*

APPD. 1 QA MGR *[Signature]*

APPD. 2 FAC. MGR

ISSUED 20 MAR 2019

UNLESS OTHERWISE STATED
DIMENSION IN MILLIMETRES

TOLERANCE

LINEAR :

ANGULAR :

REVISION : 06



WALKING
LIFE-SAVING EQUIPMENT

DRN. QA ENC. *[Signature]*

APPD. 1 QA MGR *[Signature]*

APPD. 2 FAC. MGR

ISSUED 20 MAR 2019

DRN. NO. FEQUA - VK

ARTICLE NO. 1055695

FINISH : RED

MATERIAL :

DRN. QA ENC. *[Signature]*

APPD. 1 QA MGR *[Signature]*

APPD. 2 FAC. MGR

ISSUED 20 MAR 2019

UNLESS OTHERWISE STATED
DIMENSION IN MILLIMETRES

TOLERANCE

LINEAR :

ANGULAR :

REVISION : 06



WALKING
LIFE-SAVING EQUIPMENT

DRN. QA ENC. *[Signature]*

APPD. 1 QA MGR *[Signature]*

APPD. 2 FAC. MGR

ISSUED 20 MAR 2019

DRN. NO. FEQUA - VK

ARTICLE NO. 1055695

FINISH : RED

MATERIAL :

DRN. QA ENC. *[Signature]*

APPD. 1 QA MGR *[Signature]*

APPD. 2 FAC. MGR

ISSUED 20 MAR 2019

UNLESS OTHERWISE STATED
DIMENSION IN MILLIMETRES

TOLERANCE

LINEAR :

ANGULAR :

REVISION : 06



WALKING
LIFE-SAVING EQUIPMENT

DRN. QA ENC. *[Signature]*

APPD. 1 QA MGR *[Signature]*

APPD. 2 FAC. MGR

ISSUED 20 MAR 2019

DRN. NO. FEQUA - VK

ARTICLE NO. 1055695

FINISH : RED

MATERIAL :

DRN. QA ENC. *[Signature]*

APPD. 1 QA MGR *[Signature]*

APPD. 2 FAC. MGR

ISSUED 20 MAR 2019

UNLESS OTHERWISE STATED
DIMENSION IN MILLIMETRES

TOLERANCE

LINEAR :

ANGULAR :

REVISION : 06



WALKING
LIFE-SAVING EQUIPMENT

DRN. QA ENC. *[Signature]*

APPD. 1 QA MGR *[Signature]*

APPD. 2 FAC. MGR

ISSUED 20 MAR 2019

DRN. NO. FEQUA - VK

ARTICLE NO. 1055695

FINISH : RED

MATERIAL :

DRN. QA ENC. *[Signature]*

APPD. 1 QA MGR *[Signature]*

APPD. 2 FAC. MGR

ISSUED 20 MAR 2019

UNLESS OTHERWISE STATED
DIMENSION IN MILLIMETRES

TOLERANCE

LINEAR :

ANGULAR :

REVISION : 06



WALKING
LIFE-SAVING EQUIPMENT

DRN. QA ENC. *[Signature]*

APPD. 1 QA MGR *[Signature]*

APPD. 2 FAC. MGR

ISSUED 20 MAR 2019

DRN. NO. FEQUA - VK

ARTICLE NO. 1055695

FINISH : RED

MATERIAL :

DRN. QA ENC. *[Signature]*

APPD. 1 QA MGR *[Signature]*

APPD. 2 FAC. MGR

ISSUED 20 MAR 2019

UNLESS OTHERWISE STATED
DIMENSION IN MILLIMETRES

TOLERANCE

LINEAR :

ANGULAR :

REVISION : 06



WALKING
LIFE-SAVING EQUIPMENT

DRN. QA ENC. *[Signature]*

APPD. 1 QA MGR *[Signature]*

APPD. 2 FAC. MGR

ISSUED 20 MAR 2019

DRN. NO. FEQUA - VK

ARTICLE NO. 1055695

FINISH : RED

MATERIAL :

DRN. QA ENC. *[Signature]*

APPD. 1 QA MGR *[Signature]*

APPD. 2 FAC. MGR

ISSUED 20 MAR 2019

UNLESS OTHERWISE STATED
DIMENSION IN MILLIMETRES

TOLERANCE

LINEAR :

ANGULAR :

REVISION : 06



WALKING
LIFE-SAVING EQUIPMENT

DRN. QA ENC. *[Signature]*

APPD. 1 QA MGR *[Signature]*

APPD. 2 FAC. MGR

ISSUED 20 MAR 2019

DRN. NO. FEQUA - VK

ARTICLE NO. 1055695

FINISH : RED