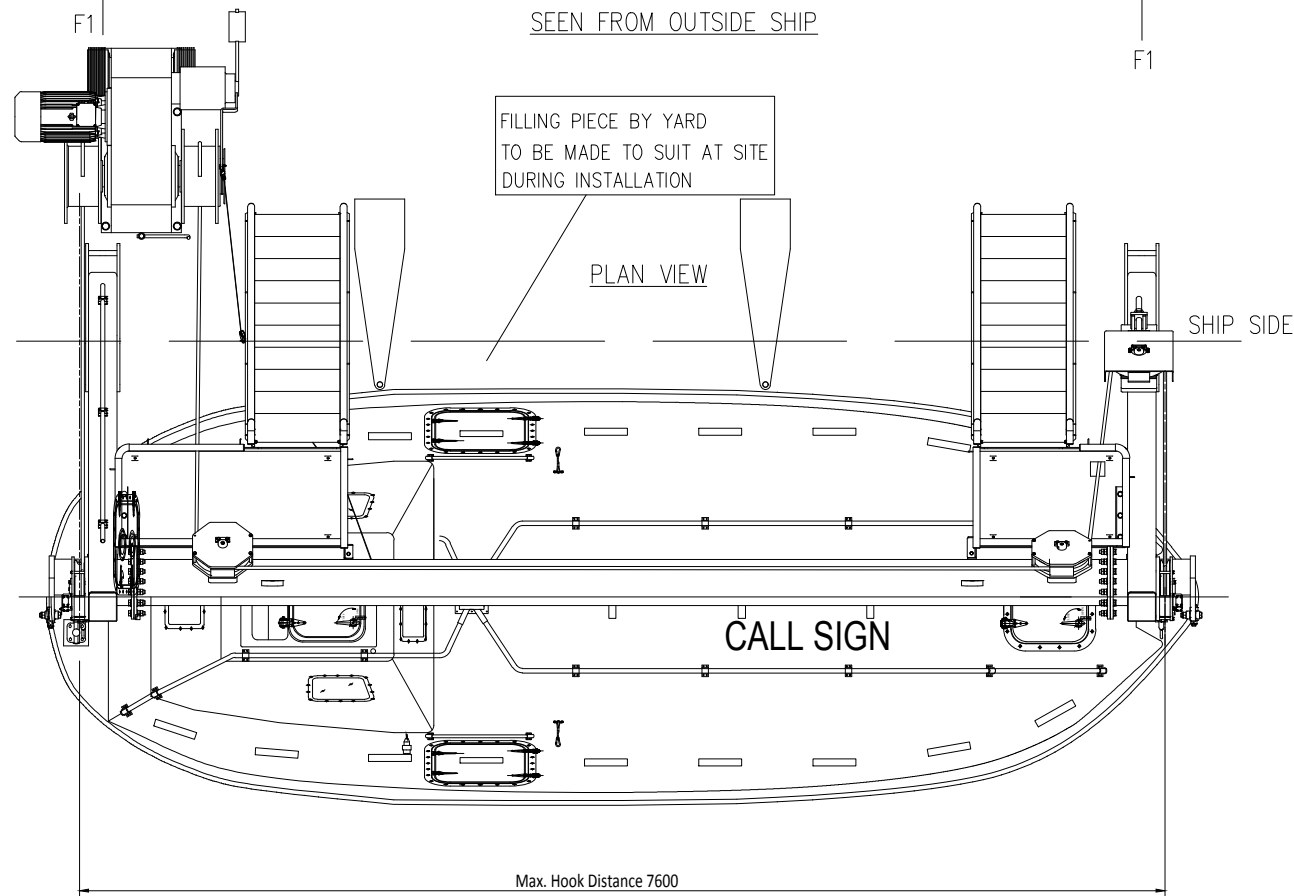


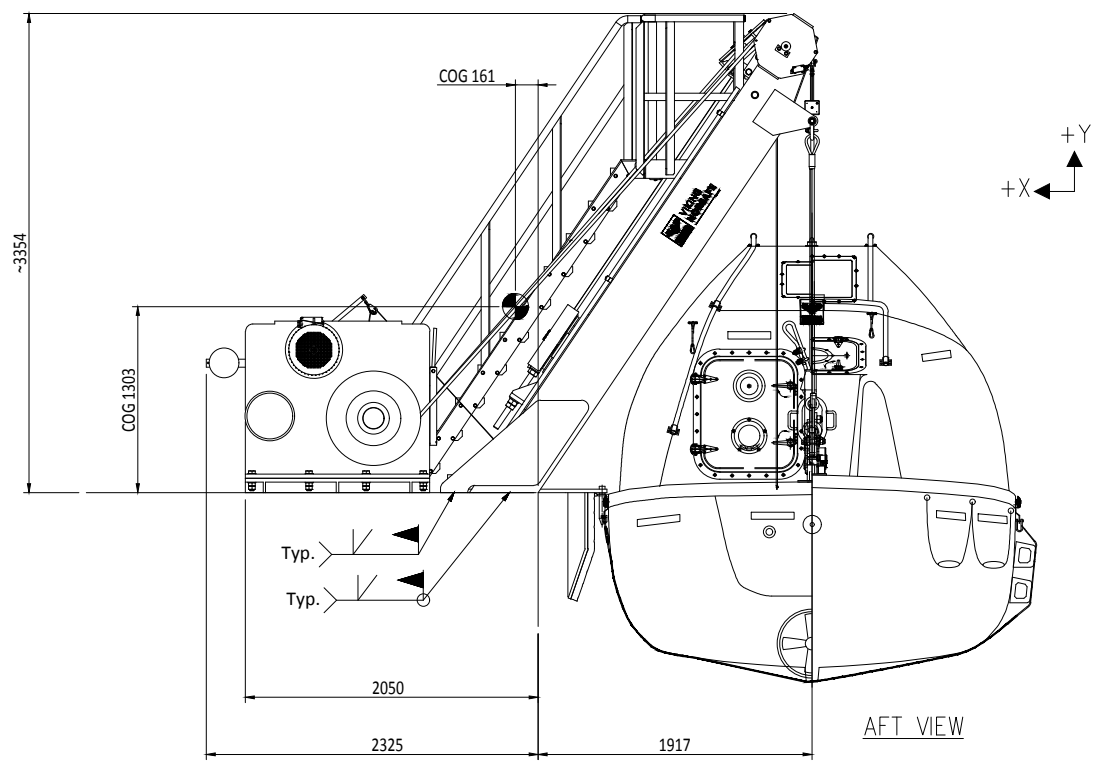
SEEN FROM OUTSIDE SHIP



PLAN VIEW

CALL SIGN

Max. Hook Distance 7600



AFT VIEW

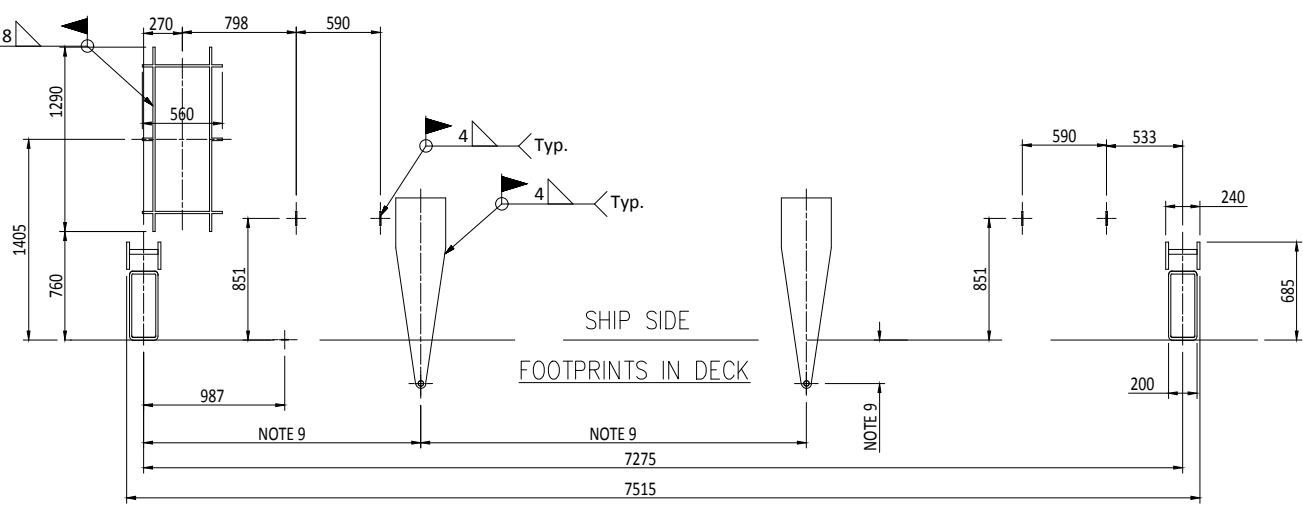
NOTES:

1. ALL ELECTRIC WIRING BY YARD.
2. ALL FIELD WELDS TO BE PERFORMED ACC. TO APPROVED WPS (YARD RESPONSIBILITY). ALL FIELD WELDING IS SUBJECT TO CLASS APPR. PRIOR TO WELDING.
3. ALL FIELD WELDS SHOWN TO BE WELDED BY YARD DURING INSTALLATION.
4. WIRE LENGTHS:
 WIRE 1: $12m + H = X_{m1}$
 WIRE 2: $23m + H = X_{m2}$
 WIRE LENGTH INCLUDE 3 WRAPS ON DRUM
 H = (HEIGHT FROM STOWAGE TO L.W.L. INCLUDE LIST AND TRIM.)
 X_m = Total wire length
5. ALL MAIN STEEL S355. ALL OUTFITTING STEEL S235
6. ALL FORCES ARE NOMINAL FORCES WITHOUT ANY FACTORS
 ALL FOUNDATIONS SHALL BE DESIGNED WITH A FACTOR OF SAFETY OF MINIMUM 4.5.
7. THE DAVIT IS IN ACCORDANCE WITH THE LATEST REQUIREMENTS TO SOLAS
8. STARBOARD DAVIT SHOWN. PORT SIDE DAVIT IS MIRRORED
9. LOCATION OF PIN LASHING IS ONLY ESTIMATED.
 LASHING PIN TO BE INSTALLED AFTER THE BOAT IS INSTALLED IN THE DAVIT

FOR ORIENTATION OF FORCES, SEE X, Y AND Z-DIRECTION ON DRAWING.
 FORCES ARE POINT LOAD AT EACH DAVIT ARM

	FORCE X	FORCE Y	FORCE Z	MOM X	MOM Y	MOM Z
F1	±94 kN	137 kN	±21 kN	±45 kNm	±30 kNm	±142 kNm

DAVIT TECHNICAL DATA:
 SAFETY WORKING LOAD: 120kN
 DAVIT WEIGHT: Approx. 5500 KG, INCL. WINCH



SHIP SIDE

FOOTPRINTS IN DECK

REV	DESCRIPTION	BY	CHECK	APPRO	DATE
1	Reissued for approval	MISO	ALJI	WAGU	28.06.2019
0	Issued for approval	MIM	HASO	JJB	30.11.2015

REVISION HISTORY



VIKING NORSAFE

VIKING Norsafe Life-Saving Equipment Norway AS
 P.O. Box 115
 4852 Færvik
 NORWAY
 Tel: +47 37 05 85 00
 Fax: +47 37 05 85 01
 24/7 Service: +47 37 05 63 33
 Email: viking@viking-life.com

This drawing is the sole property of VIKING Norsafe Life-Saving Equipment Norway AS. It must not be submitted to other parties nor used in any manner detrimental to our interests. It shall not be copied, reproduced, used for manufacturing or sale without the written consent of VIKING Norsafe Life-Saving Equipment Norway AS. All rights are reserved.

DWG SIZE: A3	SCALE: 1:25	COPY OF:	PART NO.	WEIGHT:	SHEET: 1/1
CLIENT NO:	TOLERANCES: ISO 2768-mk, ISO 13920-BF	DWG No: G-501137	PROJECT: D-110 Davit General Arrangement with JYN80		
PROJECTION METHOD:			REVISION: 1		
PROJECT: G-501137			General Arrangement		