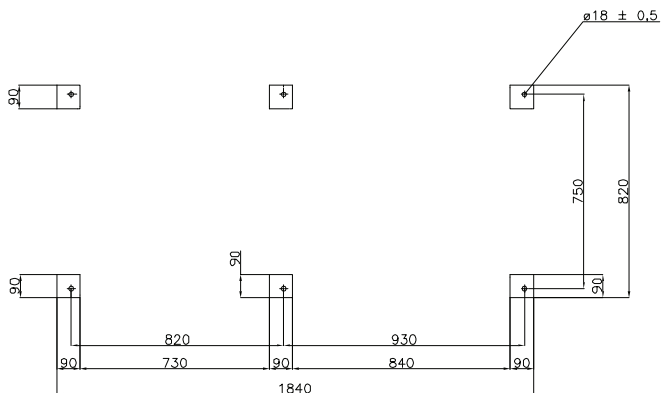
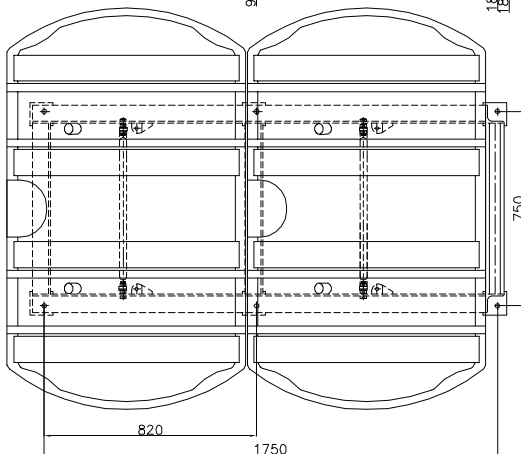
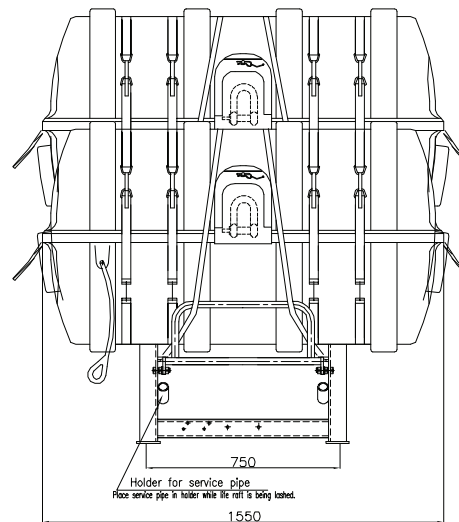
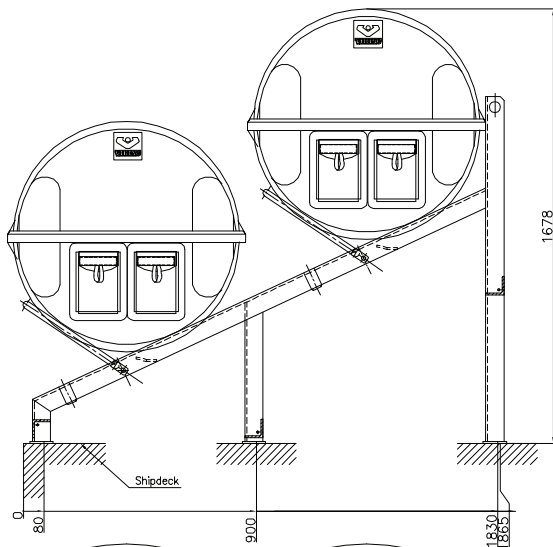


First angle projection



016-8200	DKF 35 B	1026580
016-8301	DKF 35 A	1026580
016-5702	DK 35 A	1014459
016-5701	DKR 100	1014459
016-5701	DKS 50	1014459
016-5700	DKR 2X50	1014459
016-0181	DKS 50	1014459
016-0152	DKS 50	1014459
016-0139	DKS 50	1014459
Container Part no.:	Description:	Lashing:

Weight rack: 85 kg  
 Old: 052 6079  
 Part no.: 1004191

1	Rack	1	836-072-1	FE360-17100	
Mtr.	Object	Number	Draw no.	Material	Part no.
Copyright of VIKING-A/S NORDISK GUMMIBANDFABRIK, DENMARK, whose property this document remains. No part thereof may be disclosed, copied, duplicated or in any other way made use of, except with the approval of VIKING-A/S NORDISK GUMMIBANDFABRIK.					
 LIFE-SAVING EQUIPMENT		P. O. Box 3060 6710 Esbjerg V Denmark		Scale: 1:100 Dim. in: mm	Drawn: 050907 LRM Check: 050907 MS
General arrangement for rampstand 2 pcs. liferaft containers (Same as: 836-073-2)					Drawing no.: 836-356-1
Issue/Rev. no. DATE: CHECK:				CAD Nr.: 8365561	