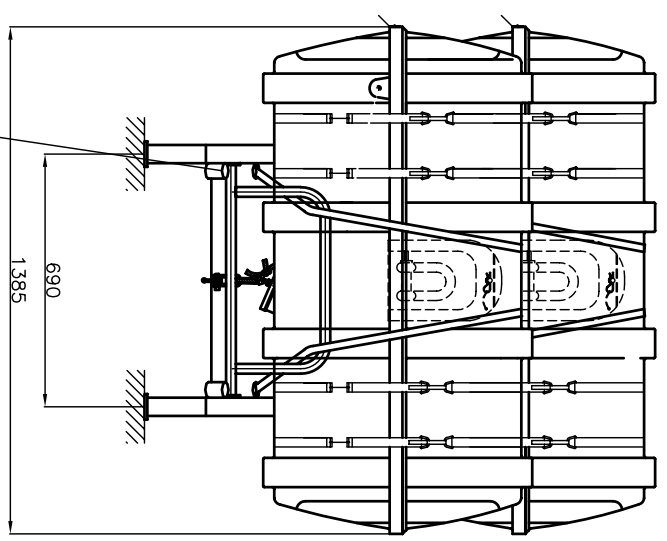
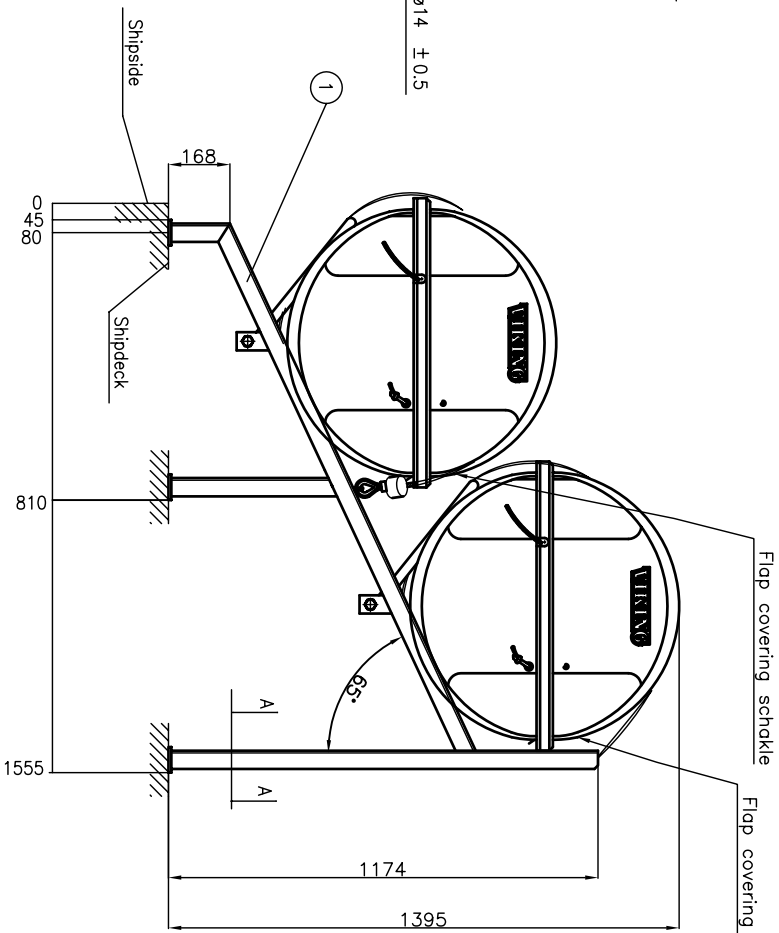
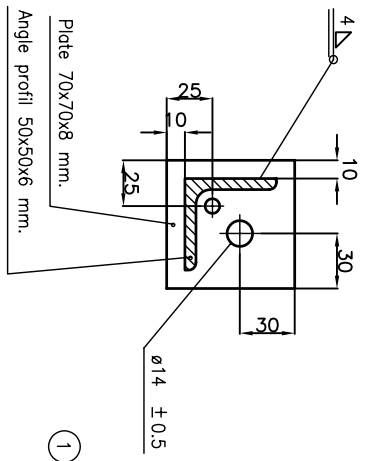




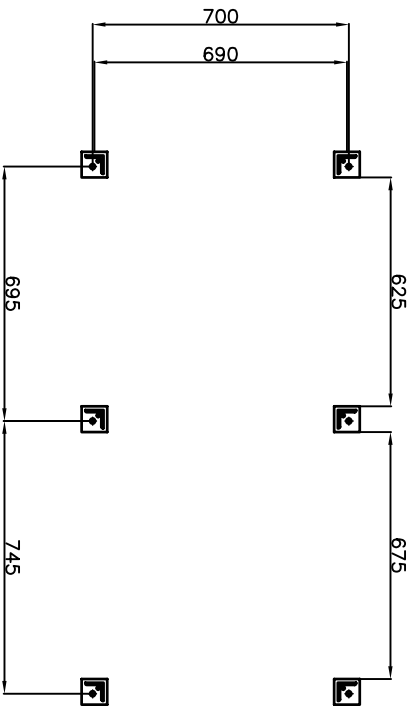
First angle projection

Section A-A (1:2)



Holder for service pipe
 Service pipe holder: 1 holder, mass 18kg net
 Piece service pipe in holder while container is being lashed

Surface treatment: Hot galvanized class A JF.DS/ISD 1461
 Measures are for guidance only



Part no. 052-6078

1	Rampstand	Object	1	836-053.x-1
<p>Copyright of VIKING LIFE-SAVING EQUIPMENT DENMARK unless property has disclosed remains. No part hereby may be discussed or reproduced in any way other than with the approval of VIKING LIFE-SAVING EQUIPMENT DENMARK.</p>				

<p>VIKING LIFE-SAVING EQUIPMENT</p>		<p>P. O. Box 3860 6710 Esbjerg V Denmark</p>	
Scale:	1:10	Drawn:	03/07/03 MS
Check:	mm	Drawn:	03/07/03 GA

General arrangement for rampstand
 for 2 pcs. life raft container

<p>Drawing no.: 836-296.1-2</p>	
<p>CAD No.: 836292</p>	

016-8000	20 DKF
016-8100	25 DKF
Container Part no.:	Description:

Producer of rack is responsible for weldings, dimensioning and choice of material.