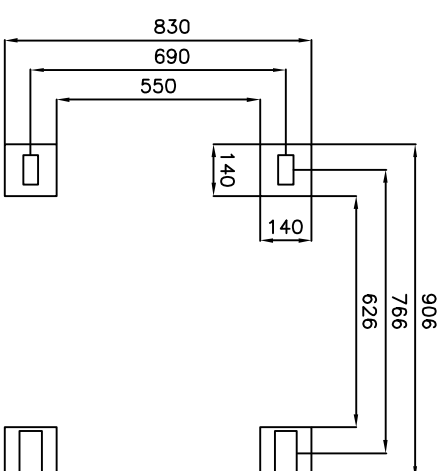
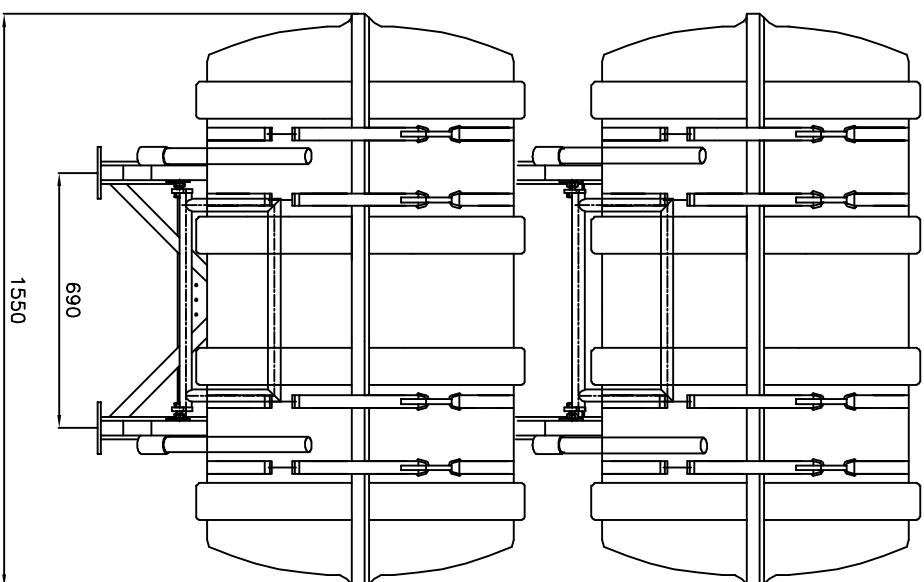
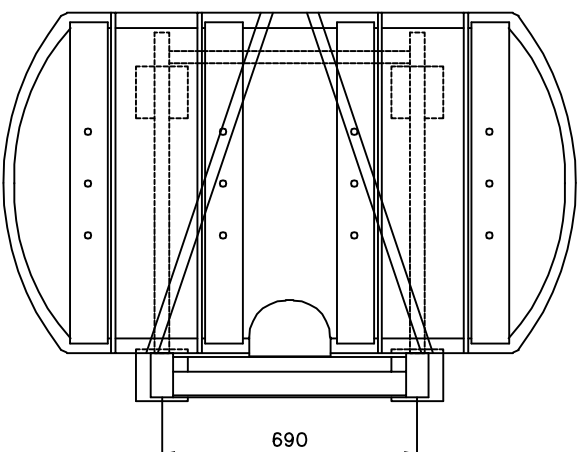
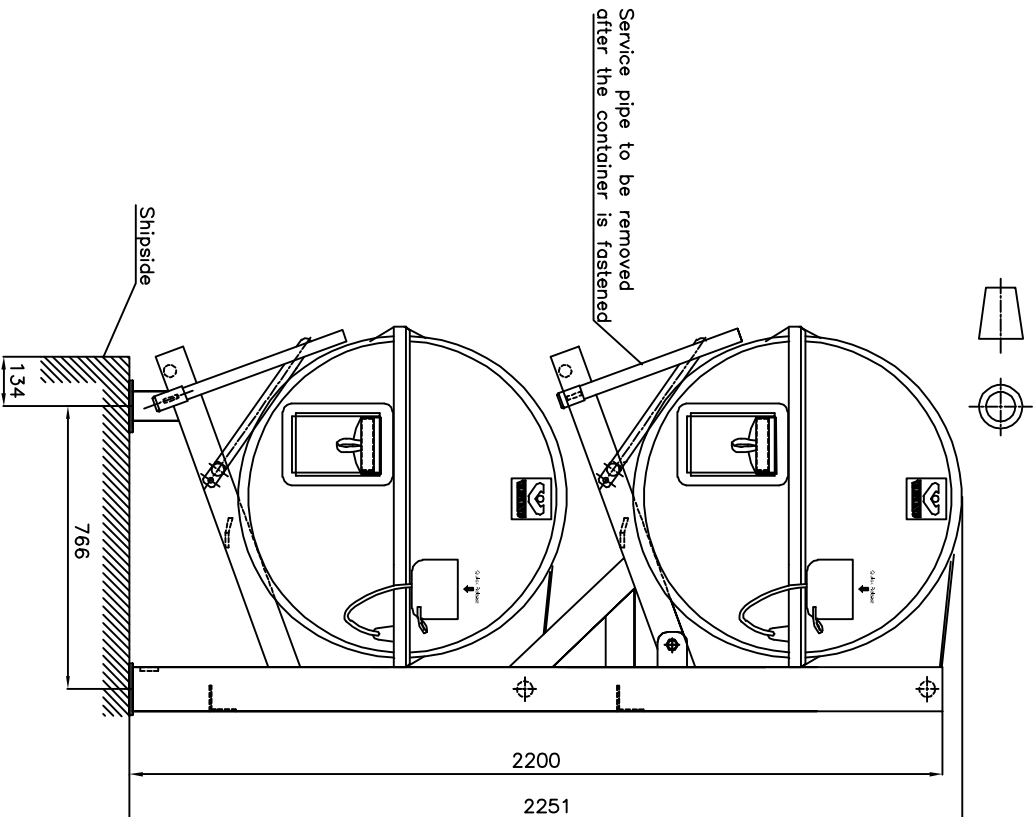


First angle projection



Weight: 154 kg

Mrk.	Object	Pcs.	Part no.	Material	Certif
2	Lashing arrangement	1	1014867	S235JR	
1	Column Rack	1	1014868	S235JR	

Copyright of VIKING LIFE-SAVING EQUIPMENT, DENMARK, whose property this document remains. No part thereof may be disclosed, copied, duplicated or in any other way made use of, except with the approval of VIKING LIFE-SAVING EQUIPMENT, DENMARK.



P. D. Box 306D  
6710 Esbjerg V  
Denmark

Scale:	1:20	Drawn:	24.05.16 PSDM
Dim. in:	mm	Check:	24.05.16 DW

Arrangement drawing for Column rack  
2 pcs. liferafts

016-8200	35	DKF "B"
016-8401	35	DKF "A"
016-8200	39	DKFS "B"
016-8401	39	DKFS "A"
Container	Description:	
Part no.:		

In case VIKING does not manufacture the cradle, VIKING will not be held responsible for construction, dimensioning and choice of material for the rack.

Issue/rev. no	Date:	Check:
3		

Drawing no.:	42004328
CAD Nr.:	42004328