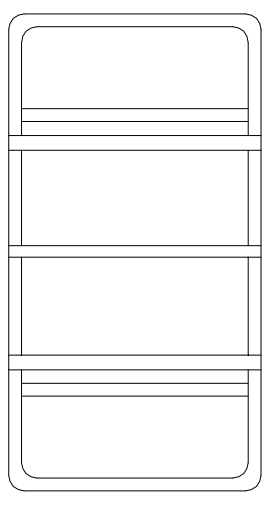
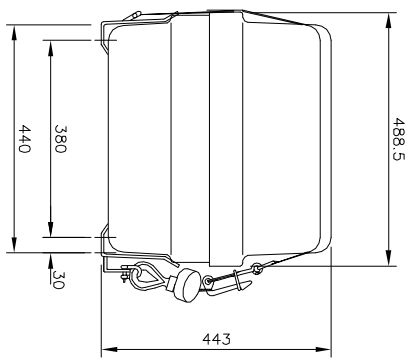
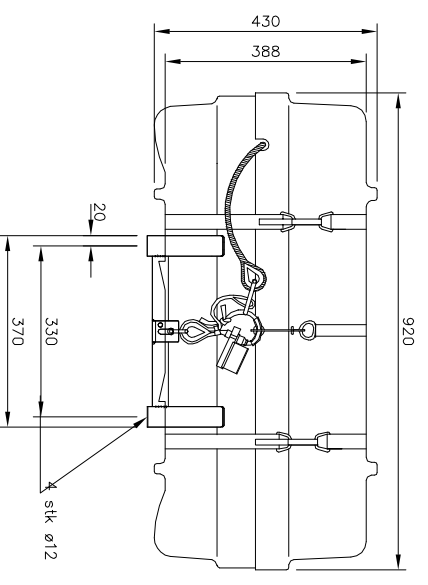



First angle projection



—	Stainless steel cradle	015-0032	300-024	SS
—	Hot galvanized cradle	015-0013	300-024	Fe 360

Copyright of VIKING LIFE-SAVING EQUIPMENT, DENMARK, whose property this document remains. No part thereof may be disclosed, copied, duplicated or in any other way made use of, except with the approval of VIKING LIFE-SAVING EQUIPMENT, DENMARK.

6086/	01.10.09	SKAE	GR
4358/*	29.08.05	PS	MKW
/3706	20.09.01	DV	PEA
@/3653	06.07.01	DV	PEA
*/2290	08.10.96	MBS	SVL
*/1161	01.04.93	HRF	EYV
*/479	91.10.01	HRF	CJ
Issue/ ref. no	Date:	Check:	


VIKING
 LIFE-SAVING EQUIPMENT
 P. O. Box 3060
 6710 Esbjerg V
 Denmark

SALES SPECIFICATION FOR CONTAINER

PART NO.: 100 03 74 (016-0009/A/B/C/D/E/G/H)
 (8 UK/C and 4-6 DK)
 WITH HYDROSTATIC RELEASE UNIT DK 84
 W/LINE 016-0308/-0313B/-0291

Drawing no.:	300-6836
Scale:	1:10
Drawn:	901115 LS
Check:	901115 CJ
CAD Nr.:	306883

Please note that the measurements given in this drawing are for your information only.