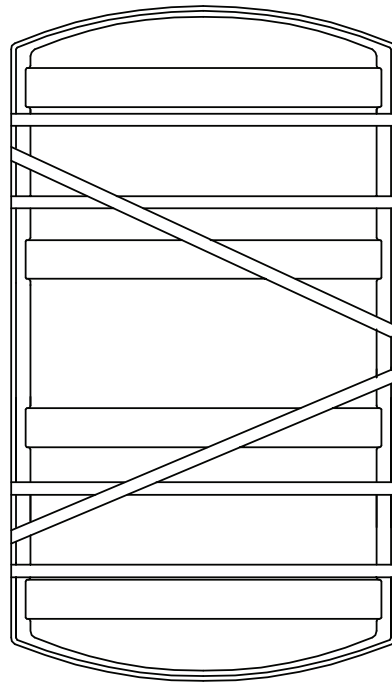
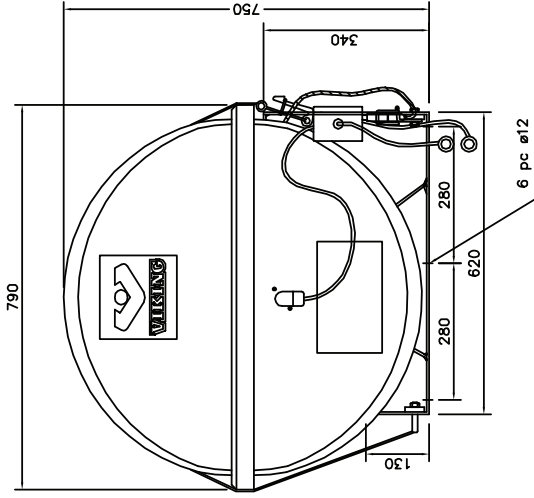
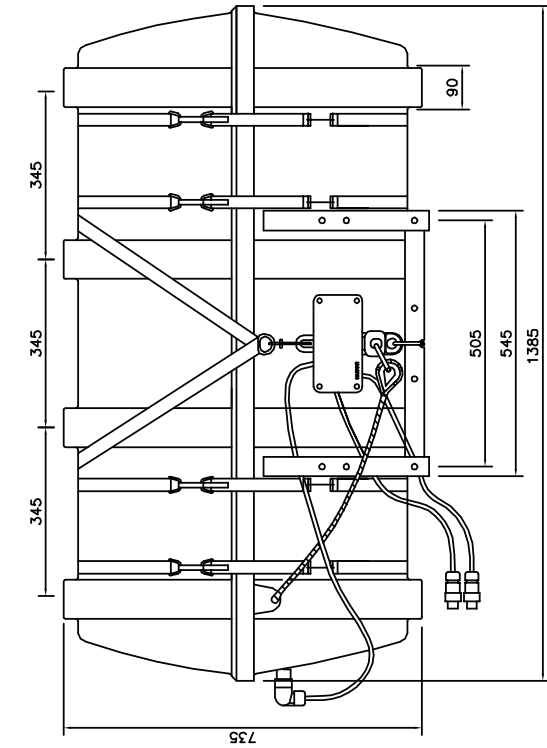


First angle projection



Mrk.	Tekst	Part. No.	Drawing No.	Material
1	Aluminium cradle	1002723	42002384	AlMg
1	Stainless steel cradle	1002925	42002338	AISI 316
1	Hot galvanized cradle	1014758	42000851	Fe 360

Copyright of VIKING LIFE-SAVING EQUIPMENT, DENMARK, whose property this document remains. No part thereof may be disclosed, copied, duplicated or in any other way made use of, except with the approval of VIKING LIFE-SAVING EQUIPMENT, DENMARK.

Scale:	1:10	Drawn:	26.10.11 DW
Part. No.:	1014758	Check:	
Drawing No.:	42002384	Issue/ ref. no.	
Material:	AlMg	Date:	
		Check:	



P.O. Box 3060
6710 Esbjerg V
Denmark

PLEASE NOTE THAT THE MEASUREMENTS GIVEN IN THIS DRAWING ARE FOR YOUR INFORMATION ONLY.

SALES SPECIFICATION FOR
POLAR CONTAINER 1042409
25 DK (type 016-5205)
without pocket

Drawing no.:
42002782

CAD Nr.:
42002782