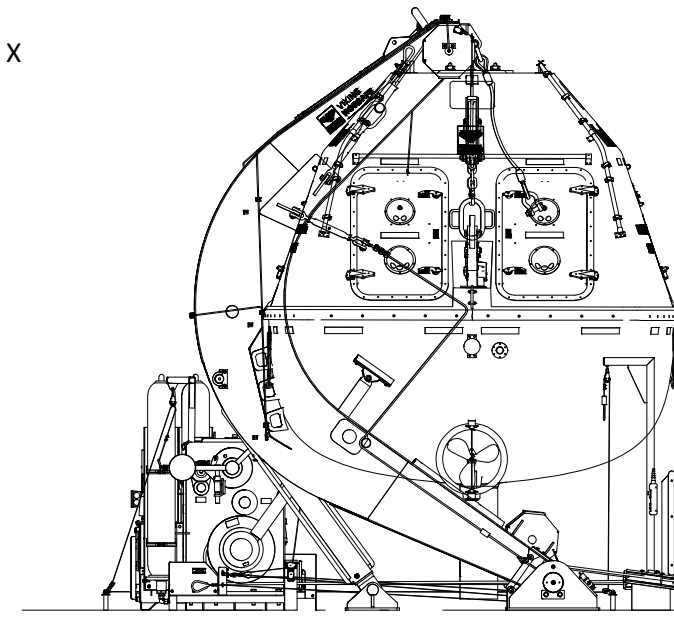


Remote control wire on deck

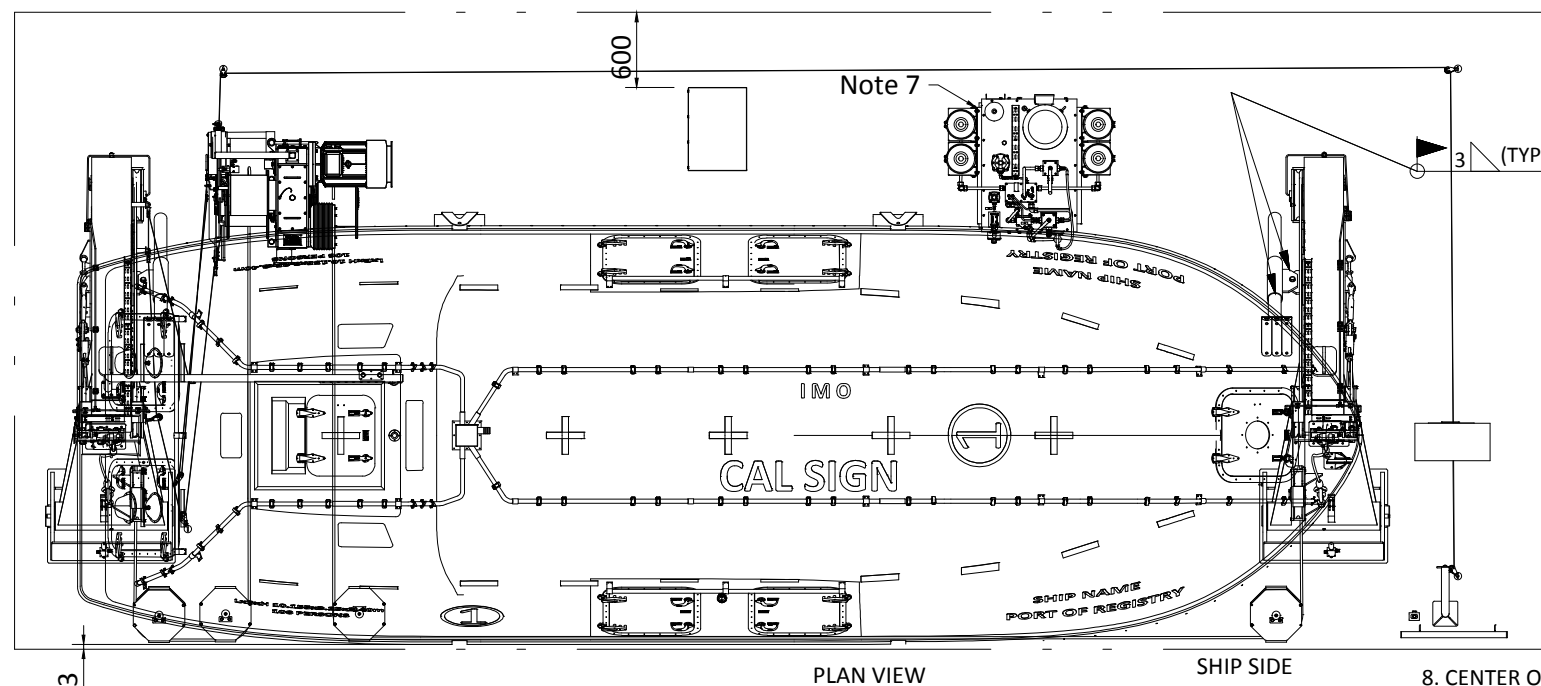
Electric remote for winch, to be placed by yard

Rail is not part of Norsafe scope of supply
Only for reference



AFT View

100 to ship side



Buffers to be adjusted to position of boat,
Fixed with weld, cutted and welded with seal plate

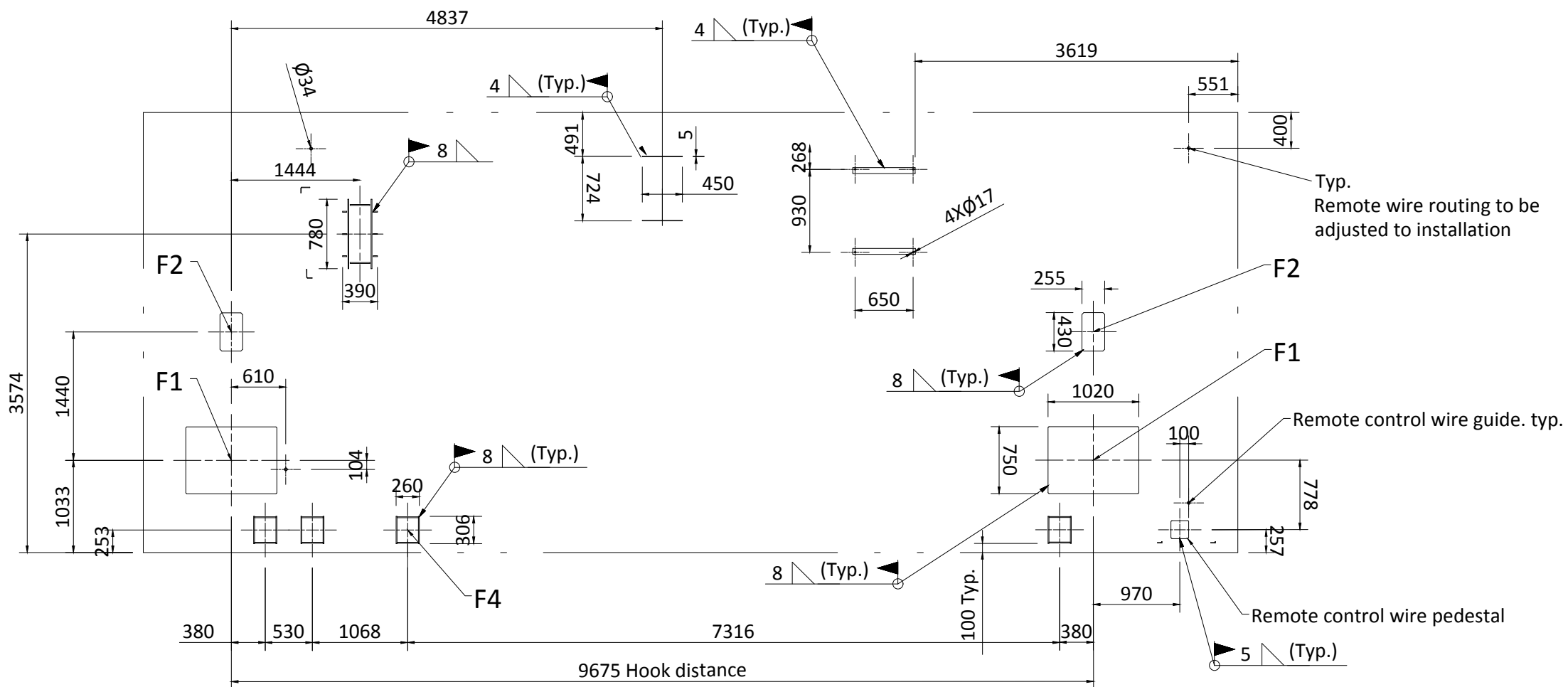
NOTES:

1. ALL ELECTRIC WIRING BY YARD
2. ALL FIELD WELDS TO BE PERFORMED ACCORDING TO APPROVED WPS (YARD RESPONSIBILITY). ALL FIELD WELDING IS SUBJECT TO CLASS APPROVAL PRIOR TO START WELDING
3. ALL FIELD WELDS SHOWN TO BE WELDED BY YARD DURING INST.
4. HOISTING SPEED: Approx. 5m/min LOWERING SPEED: MAX 60m/min
5. SWL HOISTING : 8000 kg.
SWL LOWERING : 15290 kg.
6. WIRE LENGTHS: WIRE 1: $26\text{ m} + 2 \times (\text{H} + \text{H1}) = 66\text{ m}$
WIRE 2: $19\text{ m} + 2 \times (\text{H} + \text{H1}) = 59\text{ m}$
H = HEIGHT FROM STOWAGE TO L.W.L.
H1 = ADDITIONAL HEIGHT DUE TO LIST AND TRIM CONDITIONS, UNLESS OTHERWISE AGREED.
7. HPU - HYDRAULIC POWER UNIT TO BE LOCATED BY YARD. PIPING BETWEEN HPU, FLOWDEVIDER AND DAVIT IS YARD SUPPLY, RECOMMENDED DISTANCE DAVIT-HPU: 10 PIPING m AT THE SAME LEVEL.

8. CENTER OF GRAVITY COG - FOR DAVIT ONLY. FOR BOAT COG SEE BOAT DRAWINGS.
9. FOR LOCATION OF HATCHES, HOOKS AND OTHER BOAT DETAILS SEE BOAT DRAWINGS.
10. BOAT POSITION AND HULL PATH TRAJECTORY MAY VARY DUE TO LIMIT SWITCHES AND SENSING DEVICES ADJUSTMENT.
11. ACCESS PLATFORMS & BOARDING, WALK WAYS, STAIRS & HANDRAILINGS, DOUBLER PLATES, ETC.: YARD SUPPLY - TO BE FINALIZED DURING LIFEBOAT INSTALLATION.
12. REMOTE CONTROL WIRE TO BE PLACED BY YARD; OPERATOR MUST SEE THE LIFEBOAT LOWER UNTIL WATERBORN. CONTROL WIRE CAN ALSO BE ROUTED ABOVE OPERATOR.
13. FLOW DEVIDER TO BE PLACED EQUALLY PIPE LENGTHS BETWEEN DAVIT ARMS.
14. DESIGN SPEC.: ACCORDING TO SOLAS, 10 DEGREES TRIM AND 20 DEGREES LIST.
15. STARBOARD DAVIT SHOWN. PORT SIDE DAVIT IS MIRRORED.

Davit weight table (approximately)	
Component	kg
Davit arm AFT	2345
Davit arm FWD	2330
Winch	1900
HPU	800
Deck Wire sheave house	86
Flowdivider	100

1	Resued for approval	SHWA	ALJI	WAGU	29.06.2019
0	Issued for construction	ALJI	GACA	WAGU	20.07.2017
REV	DESCRIPTION	BY	CHECK	APPRO	DATE
REVISION HISTORY					
		VIKING Norsafe Life-Saving Equipment Norway AS P.O Box 115 Tel: +47 37 05 85 00 4852 Færvik Fax: +47 37 05 85 01 NORWAY 24/7 Service: +47 37 05 63 33 Email: viking@viking-life.com			
DWG SIZE: A3 SCALE: 1:60 COPY OF:		PART NO. WEIGHT. SHEET 1 / 2			
CLIENT NO:		PROJECTION METHOD: LH-140 MKIII FOR JYN-100 NW-85			
TOLERANCES: ISO 2768-mk, ISO 13920-BF		REVISION: 1			
DWG No: G-502118		PROJECT: GENERAL ARRANGEMENT			



A-A (1:60) Footprint in Deck

JOINT LOADS ON EACH SIDE (FOR ORIENTATION OF FORCES SEE LEGEND)						
REACTIONS FOR DIFFERENT COMBINATION OF 20° LIST AND 10°TRIM						
DAVIT FRAME IN						
	FORCE X	FORCE Y	FORCE Z	MOM X	MOM Y	MOM Z
F1	±93kN	±126 kN	±16kN	±60kNm	±23kNm	±24kNm
F2	±94kN	±131kN	±2kN	±4kNm	±1kNm	0kNm
DAVIT FRAME OUT						
	FORCE X	FORCE Y	FORCE Z	MOM X	MOM Y	MOM Z
F1	±100kN	-343kN	±16kN	±43kNm	±43kNm	±20kNm
F2	±160kN	+247kN	±1kN	±1kNm	±2kNm	0kNm
WINCH AND WIRE SHEAVES						
	FORCE X	FORCE Y	FORCE Z	MOM X	MOM Y	MOM Z
F3	±75kN	±34kN	0kN	0kNm	0kNm	±14kNm
F4	±38kN	±5kN	±38kN	±9kNm	0kNm	±10kNm

Reaction forces as joint loads each side, marked with nodes on deck interface.
 For orientation of forces see legend with marked XYZ vectors.
 All forces are point loads, nominal forces without any factors.

	VIKING NORSAFE		VIKING Norsafe Life-Saving Equipment Norway AS P.O Box 115 Tel: +47 37 05 85 00 4852 Færøvik Fax: +47 37 05 85 01 NORWAY 24/7 Service: +47 37 05 63 33 Email: viking@viking-life.com	
	<small>This drawing is the sole property of VIKING Norsafe Life-Saving Equipment Norway AS. It must not be submitted to other parties nor used in any manner detrimental to our interests. It shall not be copied, reproduced, used for manufacturing or sale without the written consent of VIKING Norsafe Life-Saving Equipment Norway AS. All rights are reserved.</small>			
DWG SIZE: A3 CLIENT NO: TOLERANCES: ISO 2768-mk, ISO 13920-BF DWG No: G-502118	SCALE: 1:60 COPY OF: REVISION: 1 PROJECT:	PROJECTION METHOD:	PART NO: WEIGHT: SHEETS: 2 / 2	LH-140 MKIII FOR JYN-100 NW-85 GENERAL ARRANGEMENT