

**Norsafe NDA-40 Rescue Boat Davit**

**Technical data:**

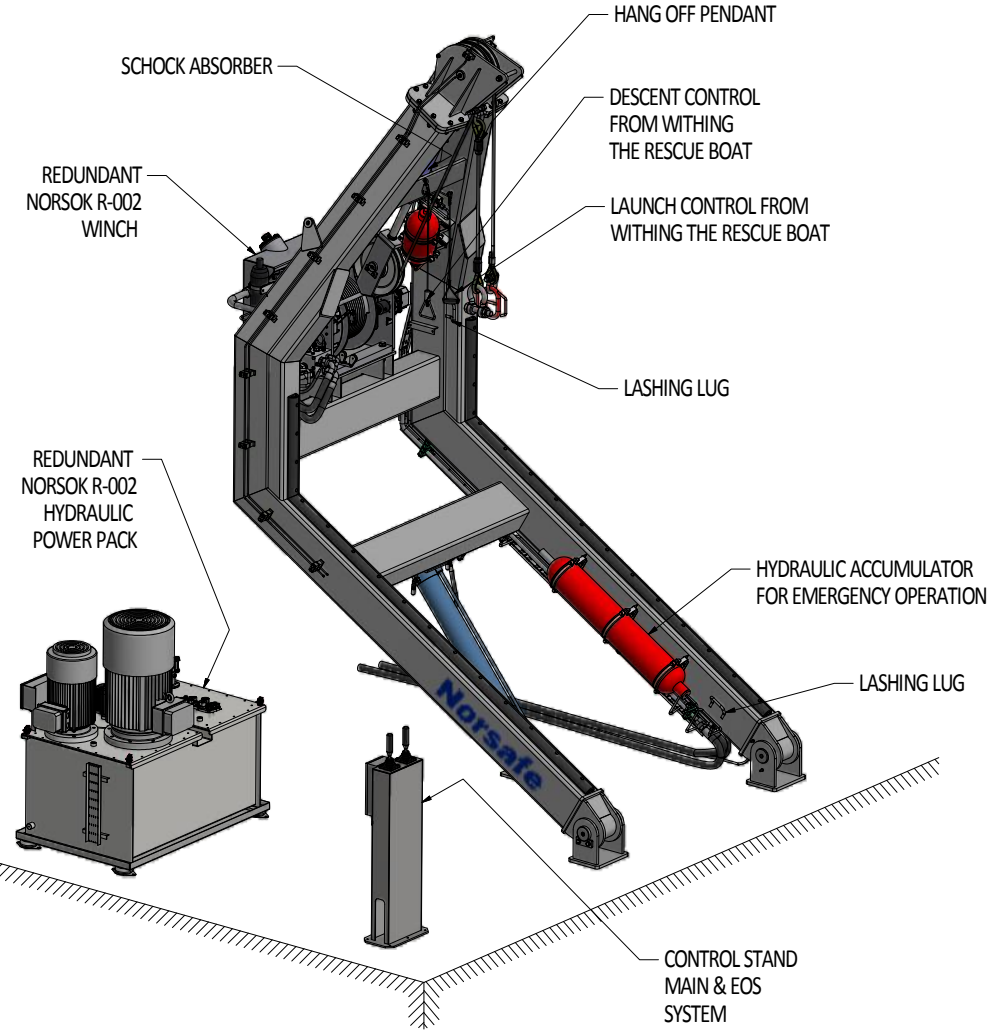
Davit weight approx. 5080 kg  
 Davit Safety Working Load: 4077 kg  
 Lowering: 4077 kg  
 Hoisting: 4077 kg

Max. installation height: 65 m (including vessel's damaged condition)

**Reaction forces:**

Reaction forces as joint loads each side, marked with nodes on deck interface. For orientation of forces see legend with marked XYZ vectors. All forces are point loads, nominal forces without any factors. All foundations shall be designed with a factor of safety of minimum 4.5, based on material ultimate strength.

REACTION FORCES IN DECK									
Load case	Node	Indication	Fx (kN)	Fy (kN)	Fz (kN)	Mx (kNm)	My (kNm)	Mz (kNm)	
List +/- 20 deg & Trim +/- 10 deg	3 & 4	Max/Min	+72/-11	+111/-41	+3/-16	+2/-25	+16/-7	+2/-16	
List +/- 20 deg & Trim +/- 10 deg	14	Max/Min	-2/-103	+134/-129	0/-1	0/0	0/0	+13/0	
NORSOK R-002	3 & 4	Max/Min	+77/+7	+233/-13	+9/-10	+7/-10	+6/-7	-2/-17	
NORSOK R-002	14	Max/Min	-15/-154	+199/-275	0/-2	0/0	0/0	+19/+2	



0	ISSUED FOR INFORMATION	DKL	PGO	PGO	09.03.2016
REV	DESCRIPTION	BY	CHECK	APPRO	DATE
REVISION HISTORY					
		VIKING Norsafe Life-Saving Equipment Norway AS P. O. Box 115 Tel: +47 37 05 85 00 4852 Faerвик Fax: +47 37 05 85 01 NORWAY 24/7 Service: +47 37 05 63 33 Email: viking@viking-life.com			
<small>This drawing is the sole property of VIKING Norsafe Life-Saving Equipment Norway AS. It must not be submitted to other parties nor used in any manner detrimental to our interests. It shall not be copied, reproduced, used for manufacturing or sale without the written consent of VIKING Norsafe Life-Saving Equipment Norway AS. All rights are reserved.</small>					
DWG SIZE: A3	SCALE: 1:60	COPY OF:	PART NO.	WEIGHT: N/A	SHEET: 1 / 11
CLIENT NO:	PROJECTION METHOD:	NDA-40 NO			
TOLERANCES: ISO 2768-mk, ISO 13920-BF	REVISION: 0	RESCUE BOAT DAVIT			
DWG No: G-501309	PROJECT:	WITH 750 MAGNUM			
		GENERAL ARRANGEMENT			