

NDC-40 RESCUE BOAT DAVIT

SWL: 2800kg - 4000kg (Depends on boat weight)
 WINCH TYPE: ZOLLERN ZR 4.15 OR ZR 4.20
 HOISTING SPEED: MINIMUM 18 M/MIN (SOLAS)
 LOWERING SPEED: MINIMUM 18 M/MIN (SOLAS)
 DESIGN SPEC: 20° TRIM, 20° LIST SIMULTANEOUSLY
 DEAD SHIP LOWERING SPEED: MAXIMUM 60 M/MIN (BY GRAVITY)

Reaction forces on deck (for orientation of forces, see legend on drawing).

Deck support davit	ForceX (kN)	ForceY (kN)	ForceZ (kN)	MomX (kNm)	MomY (kNm)	MomZ (kNm)
	±20.1	-58.9	±20.1	±40.0	±28.6	103.0

All forces are nominal forces without any factors.
 All foundation shall be designed with a safety factor of minimum 4,5

NOTES:

- ACCESS PLATFORMS, HANDRAILING, DOUBLE PLATES ETC.: YARD SUPPLY.
- ELECTRIC WIRING BY YARD.
- FIELD WELDS TO BE WELDED BY YARD ARE SHOWN BY
- ALL FIELD WELDS TO BE PERFORMED ACC. TO APPROVED WPS. (YARD RESPONSIBILITY). ALL FIELD WELDING IS SUBJECT TO CLASS APPROVAL PRIOR TO START WELDING.
- THE SWL FOR THE DAVIT WILL BE ADJUSTED TO SUIT THE BOAT FOR EACH DELIVERY.
- HYDRAULIC HOSES FROM HPU TO WINCH MUST BE FASTENED BY YARD.
- LOCATION OF HPU AND CONTROL STAND TO BE DECIDED BY YARD.
- LOCATION OF BOAT SUPPORTS TO BE ADJUSTED TO SUIT THE BOAT TYPE FOR EACH DELIVERY.

REV	DESCRIPTION	BY	CHECK	APPRO	DATE
4	Removed regulation NMA 90	GACA	JOZH	WAGU	11.07.2018
3	Updated design spec. 10° trim to 20° trim; Updated reaction forces on deck	GACA	ALJI	WAGU	02.03.2018
2	Corrected to NMA 90 from NMD 853	GACA	ALJI	WAGU	11.02.2018
1	Corrected coordinate system	GACA	ALJI	WAGU	25.09.2015

REVISION HISTORY

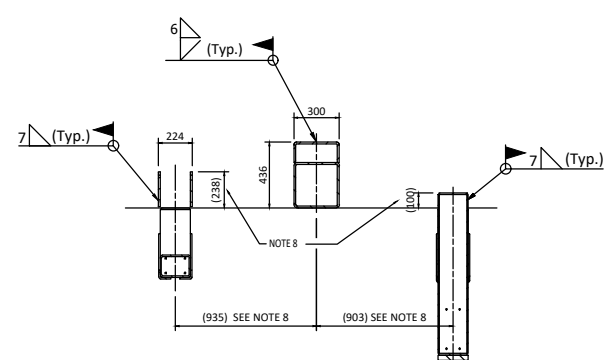
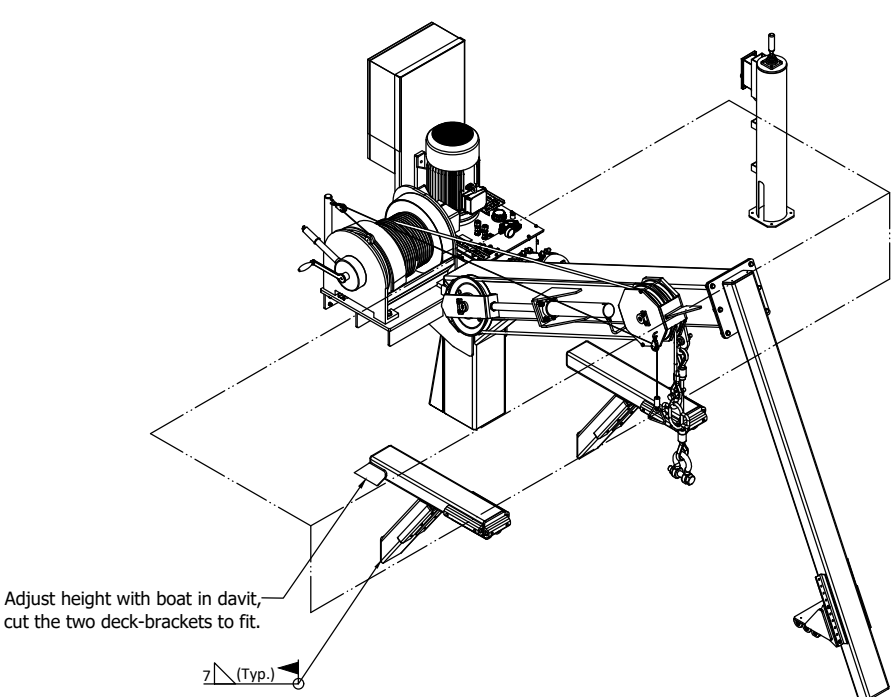
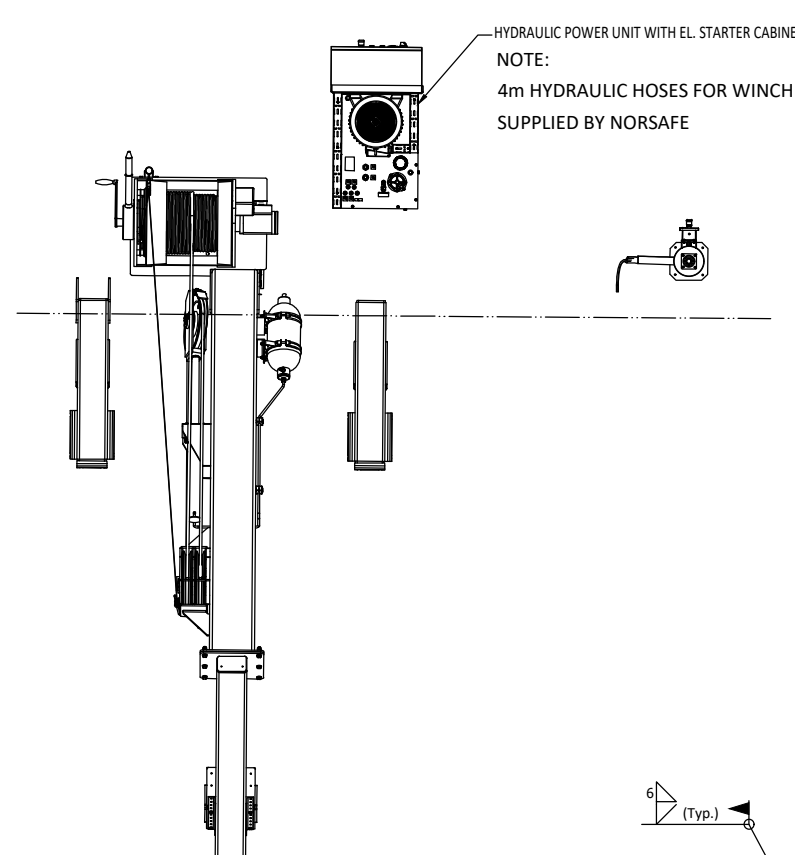
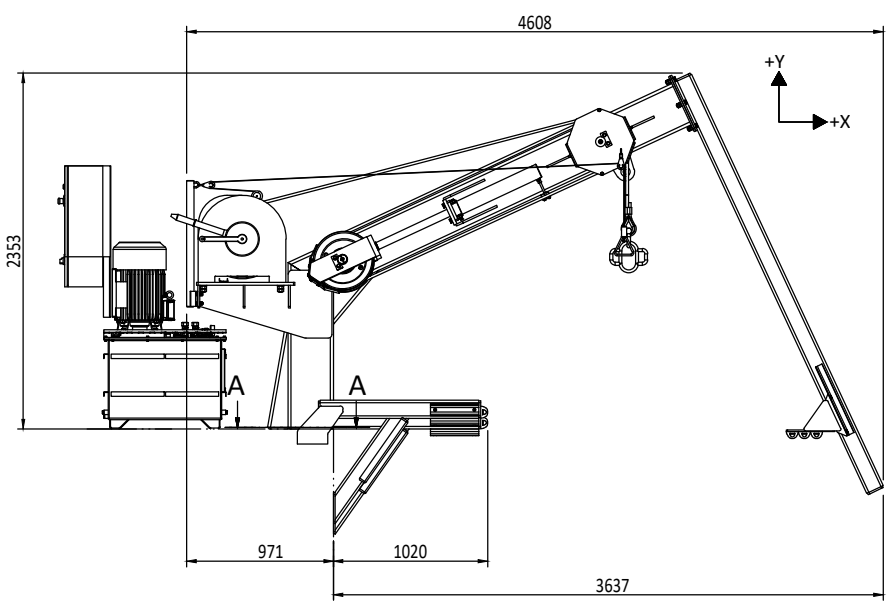
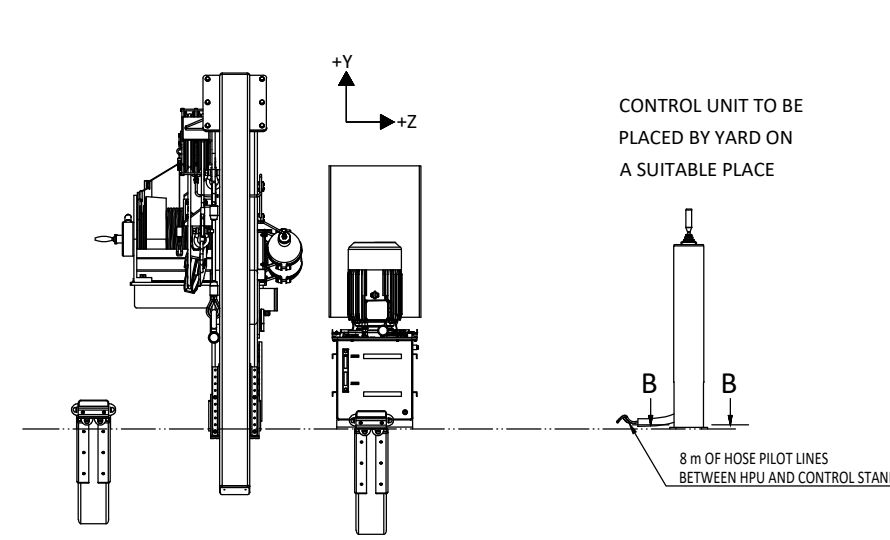


VIKING NORSAFE

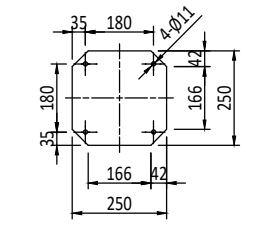
VIKING Norsafe Life-Saving Equipment Norway AS
 P.O. Box 115 Tel: +47 37 05 85 00
 4852 Færvik Fax: +47 37 05 85 01
 NORWAY 24/7 Service: +47 37 05 63 33
 Email: Viking-Norsafe@viking-life.com

Drawn by GACA Check by ALJI Appr. by WAGU Initial release date 18.08.2015

Project number	Project name	Client number
Title NDC-40 Rescue Boat Davit		Material Number
		Weight N/A
		Projection method
Drawing type GA	Tolerances ISO 2768-mK, ISO 13920-BF	Scale 1:50
Drawing Number G-500981	Revision 4	Sheet Size A3
		Sheet No. 1/1



INTERFACE FOOT PRINTS IN DECK
A-A (1 : 20)



FOOT PRINT
B-B (1 : 10)