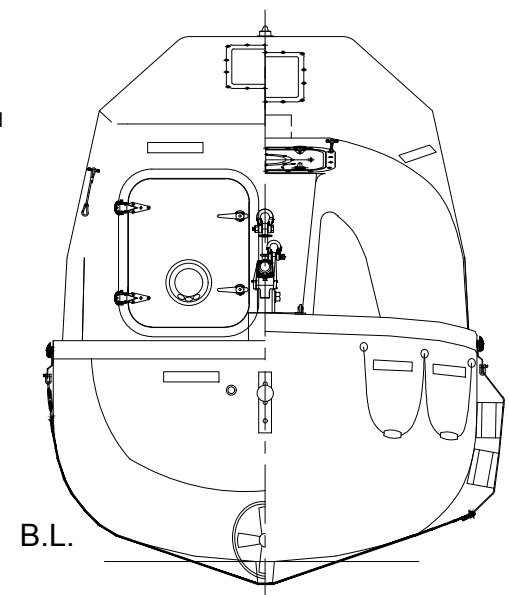
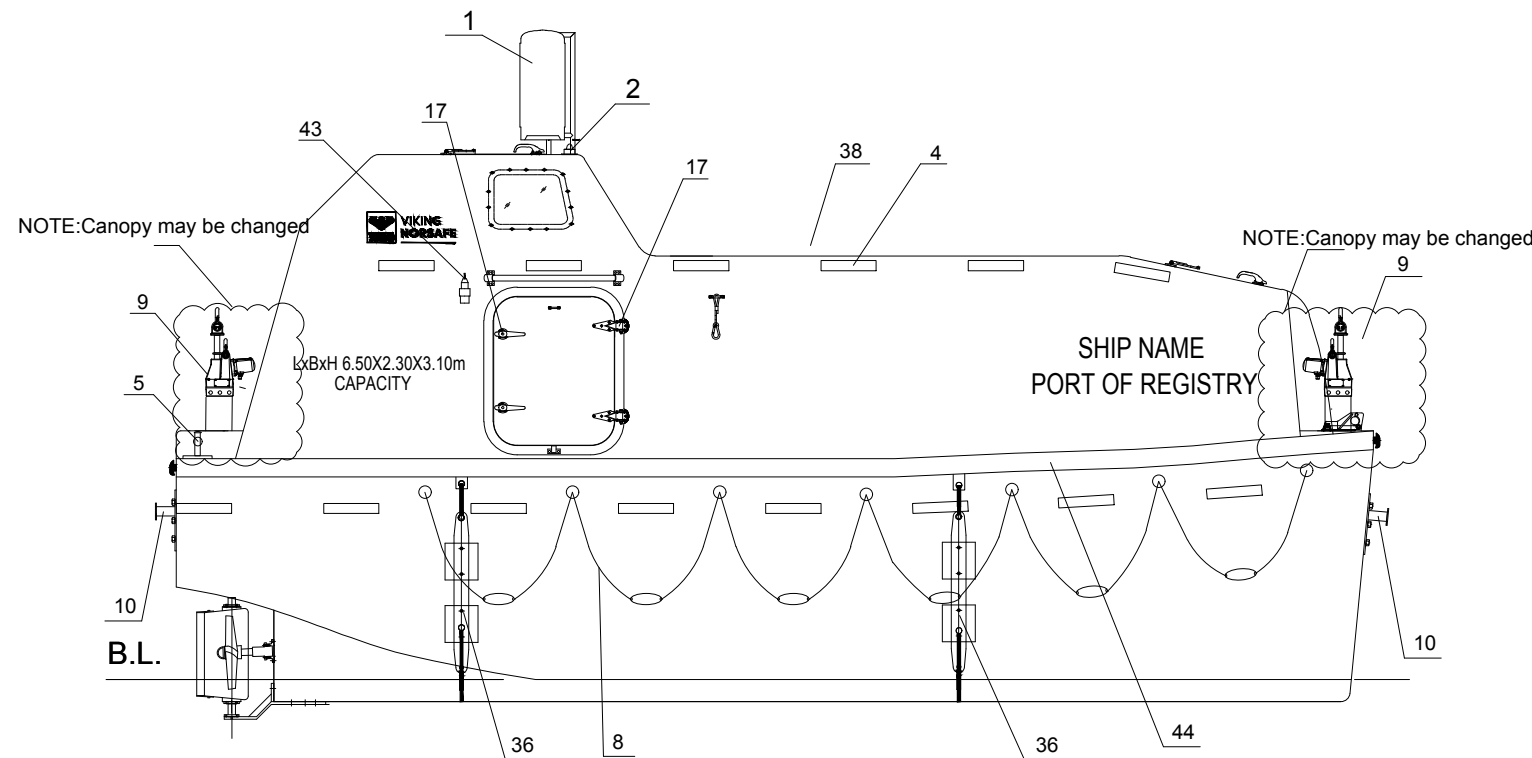
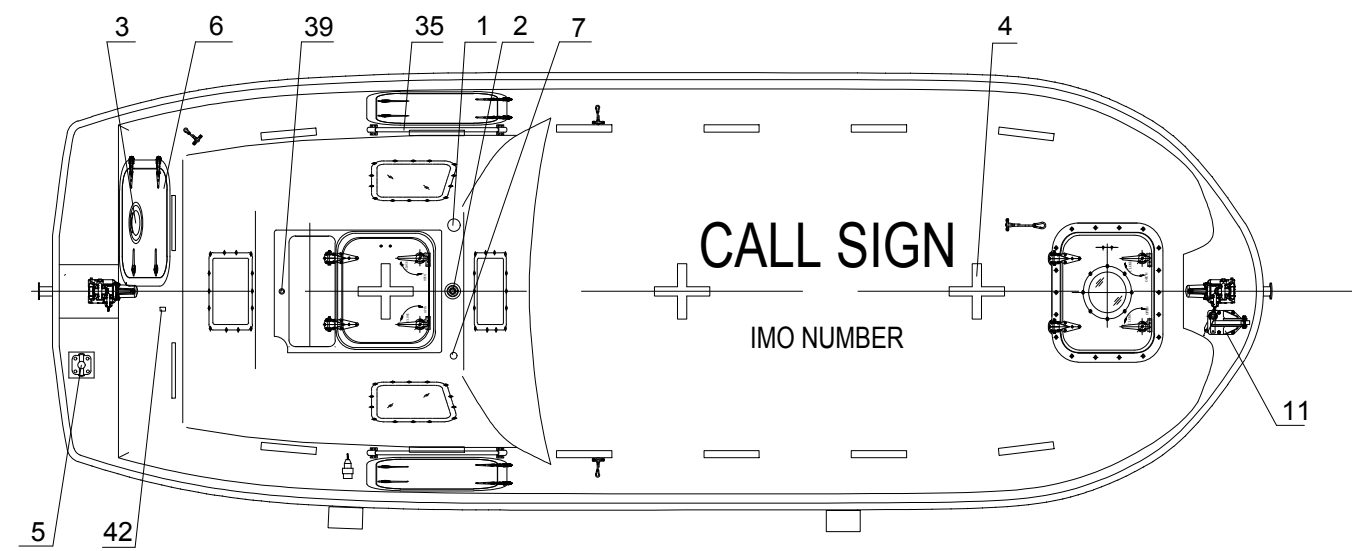


PRINCIPAL DIMENSIONS

LENGTH (MOULDED)	6.50m
BREADTH (MOULDED)	2.30m
HEIGHT	3.10m
DEPTH MOULDED	1.20m
HOOK DIST	6.10m
HOOK TYPE	NADIRO DIB 32
CAPACITY	35 PERSONS
WEIGHT OF BOAT WITH EQUIPMENT	3012Kg
WEIGHT OF BOAT WITH PERSONS	5900Kg (82,5kg/pers)
SPEED	>6Kn
ENGINE	380J-3



ELEVATION



NO.	REF.DWG.NO.	DESCRIPTION	QTY.	REMARKS
45		ACCUMULATOR	1	
44		FENDER	1	PVC
43		PLUG FOR BATTERY CHARGER	1	IP67
42		VENT FOR BATTERIES	1	SS316 & PVC HOSE
41		WATER SENSOR UNIT	1	
40		EMERGENCY RELEASE VALVE	1	AISI 316
39		RAIN COLLECTION	1	BRASS
38		EMERGENCY STEERING HANDLE	1	HOT DIPPED GALVANIZED STEEL
37		SKATE	2	RUBBER & ALUM. PLATE
36		RAIL	2	SEA WATER RESISTANT ALUM.
35		FOOD COMPARTMENT	1	F.R.P.
34		OAR/BOAT HOOK	2	WOOD/PLASTIC
33		WATER COMPARTMENT	3	F.R.P. WATER TIGHT
32		STEERING GEAR	1	
31		ENGINE & PROPELLER SHAFT	1	
30		STEERING NOZZLE & PROPELLER	1	F.R.P. / NiMn-Bronze Cu3-Cu4
29		BATTERIES	2	70AH
28		AXE	2	
27		PILLAR	1	90-80CBPJ
26		DRAIN PLUG	1	BRASS
25		MANUAL PUMP	1	
24		FIRE EXTINGUISHER	1	SEA WATER RESISTANT ALUM.
23		FUEL TANK	1	
22		SAFETY BELT	1/PERS	
21		EQUIPMENT COMPARTMENT	1	
20		DOOR LATCH	1 LOT	SS316 & PVC SHIELD WIRE ROPE
19		BACK REST	1	PLYWOOD (18MM THK.x400MM H.)
18		CONTROL PANEL	1	
17		SEARCH LIGHT	1	
16		INT. LIGHT	2	
15		HELMS CHAIR	1	F.R.P.
14		PAINTER HOOK	1	HOT DIPPED GALVANIZED STEEL
13		GRIPING BOBBIN	2	HOT DIPPED GALVANIZED STEEL
12		HOOKS DEVICE ARRANGEMENT	2	NADIRO DIB 32
11		LIFE LINE	2	PVC SHIELD WIRE ROPE
10		REMOTE CONTROL LINE HOLE	1	
9		DOOR, WINDOW & HATCH	1 LOT	
8		BOLLARD	1	SS 316
7		REFLECT LIGHT STRIP	1 LOT	
6		VENTILATOR	1	
5		POSITION LIGHT	1	
4		RADAR REFLECTOR	1	

REV	DESCRIPTION	BY	CHECK	APPRO	DATE
1	USE NEW TEMPLATE	KARL	PHLI	THWA	01.07.2019
0	ISSUED FOR CONSTRUCTION	KARL	PHLI	THWA	27.03.2019

REVISION HISTORY



VIKING Norsafe Life-Saving Equipment Norway AS
 P.O Box 115 Tel: +47 37 05 85 00
 4852 Færøvik Fax: +47 37 05 85 01
 NORWAY 24/7 Service: +47 37 05 63 33
 Email: viking@viking-life.com

This drawing is the sole property of VIKING Norsafe Life-Saving Equipment Norway AS. It must not be submitted to other parties nor used in any manner detrimental to our interests. It shall not be copied, reproduced, used for manufacturing or sale without the written consent of VIKING Norsafe Life-Saving Equipment Norway AS. All rights are reserved.

DWG SIZE: A3	SCALE: 1:40	COPY OF:	PROJECTION METHOD	EXTERNAL ARRANGMENT
CLIENT NO:			REVISION: 1	NADIRO DIB 32
TOLERANCES: ISO 2768-mk, ISO 13920-BF			PROJECT:	JYN-65 DC
DWG No: G-503127				GENERAL

Due to manufacturing reasons dimensions may vary up to 50mm

47	OPERATION PANEL	1	
46	HYDRAULIC PUMP OR TANK	1	