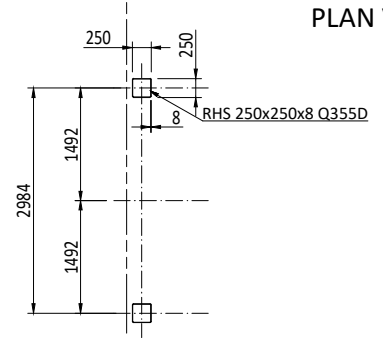
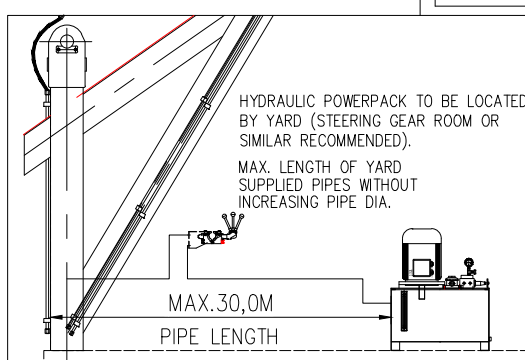


SECTION THROUGH SKIDWAY



FOOTPRINTS IN DECK



HD-18 Davit for GES-18 Free Fall Lifeboat:

SWL Lowering	5300 kg
Hoisting speed	5 m/min
Lowering speed	5 m/min
Total davit weight	4900 kg
Design specification	20° list / 10° trim
Primary means of launching	Free fall 20° list, 10° trim simultaneously
Secondary launching	Lowering by winch (5° list / 2° trim) EL. Power must be available
Max. inst. height	15 m

NOTES:

- Access platforms, handrails, doubler plates etc. :Yard supply.
- Location of hydraulic power unit to be decided by yard. (Under-deck installation IP55).
- Hydraulic piping between hydraulic power unit, davit and control valve to be yard supply.
- All electric wiring by yard.
- All field welds to be performed acc. to approved WPS. (Yard responsible)
All field welding is subject to class approval prior to start welding.
- All field welds shown to be welded by yard during installation. 100% NDT on all field welds as per yard qualified NDT procedures.

FORCES IN DECK (POINT LOAD EACH SIDE):

	Horizontal	Vertical	Horizontal	Moment		
	FORCE X	FORCE Y	FORCE Z	MOM X	MOM Y	MOM Z
	kN	kN	kN	kNm	kNm	kNm
F1	±51	63	±19	±22	±8	±5
F2	±51	33	±14	±3	±6	-15

Reaction forces:

Reaction forces as joint loads side, marked with nodes on deck inteface.
For orientation of forces see legend with marked XYZ vectors.
All forces are point loads, nominal forces without any factors.

REV	DESCRIPTION	BY	CHECK	APPRO	DATE
4	Reissued for approval	SHWA	GACA	WAGU	26.07.2022
3	Added details for footprint	CEZH	JUCH	WAGU	20.04.2021
2	Reissued for approval	CEZH	JUCH	WAGU	25.06.2019
1	Updated the template	CEZH	JETA	WAGU	11.11.2015

REVISION HISTORY



VIKING Norsafe Life-Saving Equipment Norway AS
P.O. Box 115 Tel: +47 37 05 85 00
4852 Færvik Fax: +47 37 05 85 01
NORWAY 24/7 Service: +47 37 05 63 33
Email: Viking-Norsafe@viking-life.com

Drawn by	Check by	Appr. by	Initial release date
JETA	TEYU	WAGU	17.02.2014

Project number	Project name	Client number
Title		Material Number
HD-18 Davit for GES-18 (INI WINCH/NFFH-50)		
Drawing type		Scale
GA		1:100
Drawing Number		Sheet Size
G-500337		A3
Tolerances		Revision
ISO 2768-mK, ISO 13920-BF		4
Sheet No.		1/1