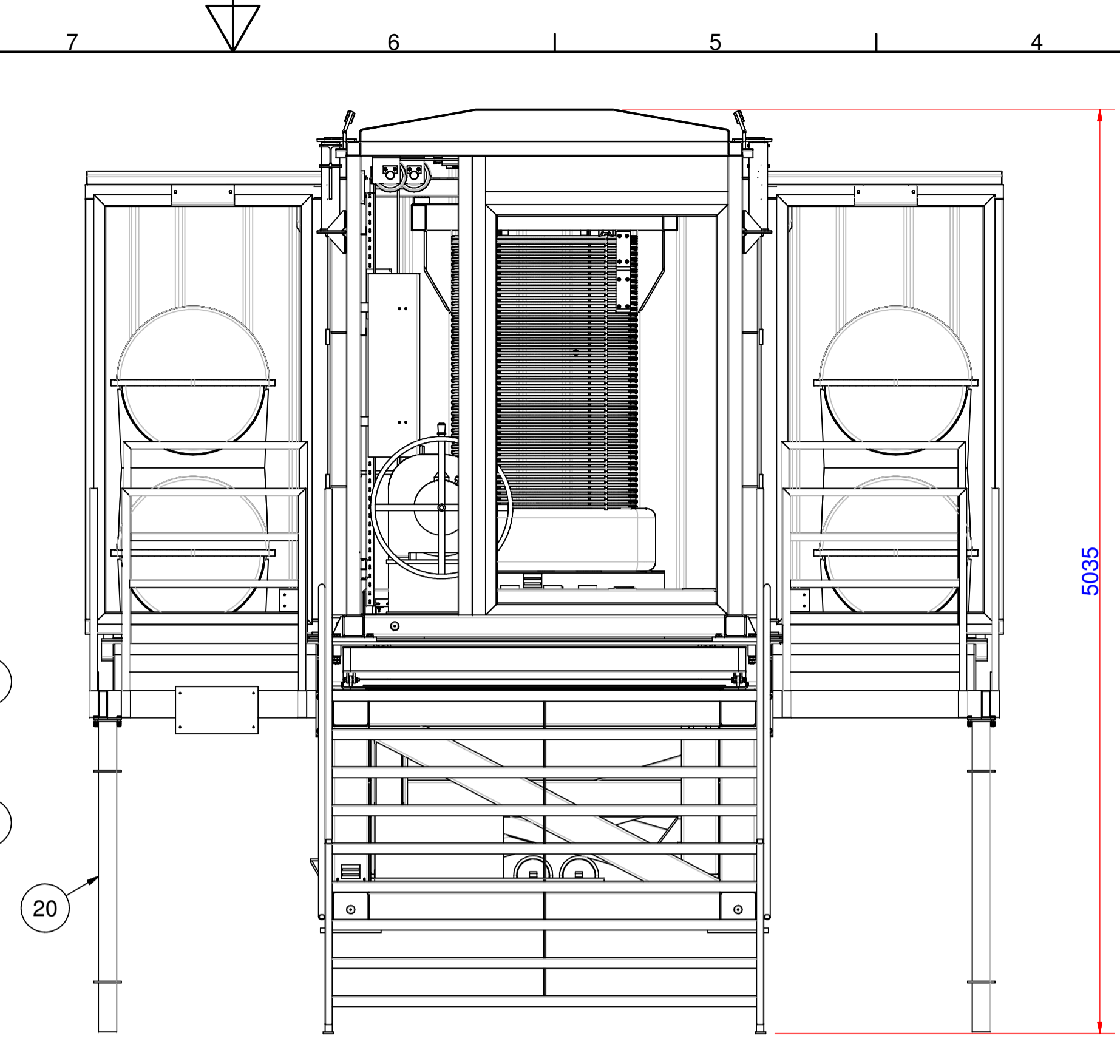


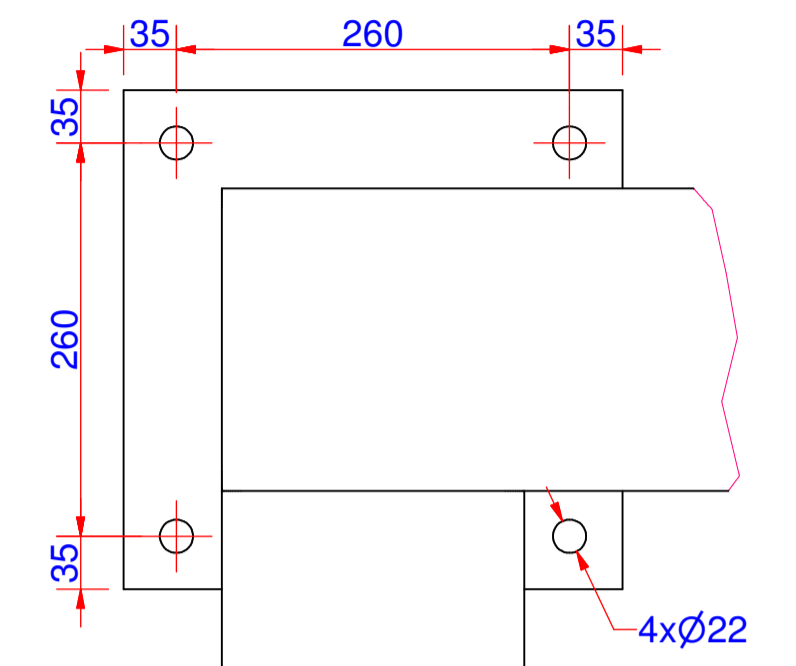
SIDE VIEW, WALLS REMOVED



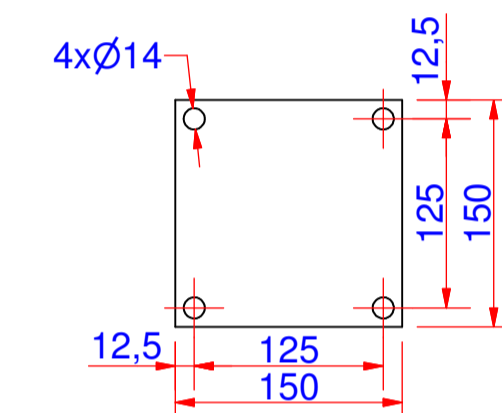
END VIEW, DOORS AND WALL REMOVED

Loading diagram for maximum loads and shear forces acting from base plates to support structure. Negative numbers on horizontal forces indicates stretch

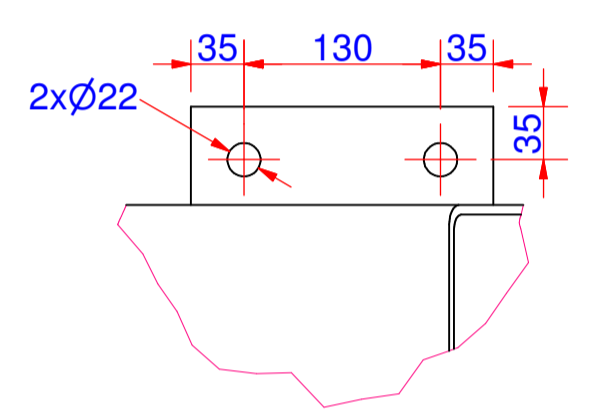
Base plate	1 (inner-right)		2 (inner-left)		3 (outward-right)		4 (outward-left)	
	Horizontal load [N]	Shear force [N]	Horizontal load [N]	Shear force [N]	Horizontal load [N]	Shear force [N]	Horizontal load [N]	Shear force [N]
Max force on base plates	-168446	317135	-164244	314282	225032	74921	222252	82496



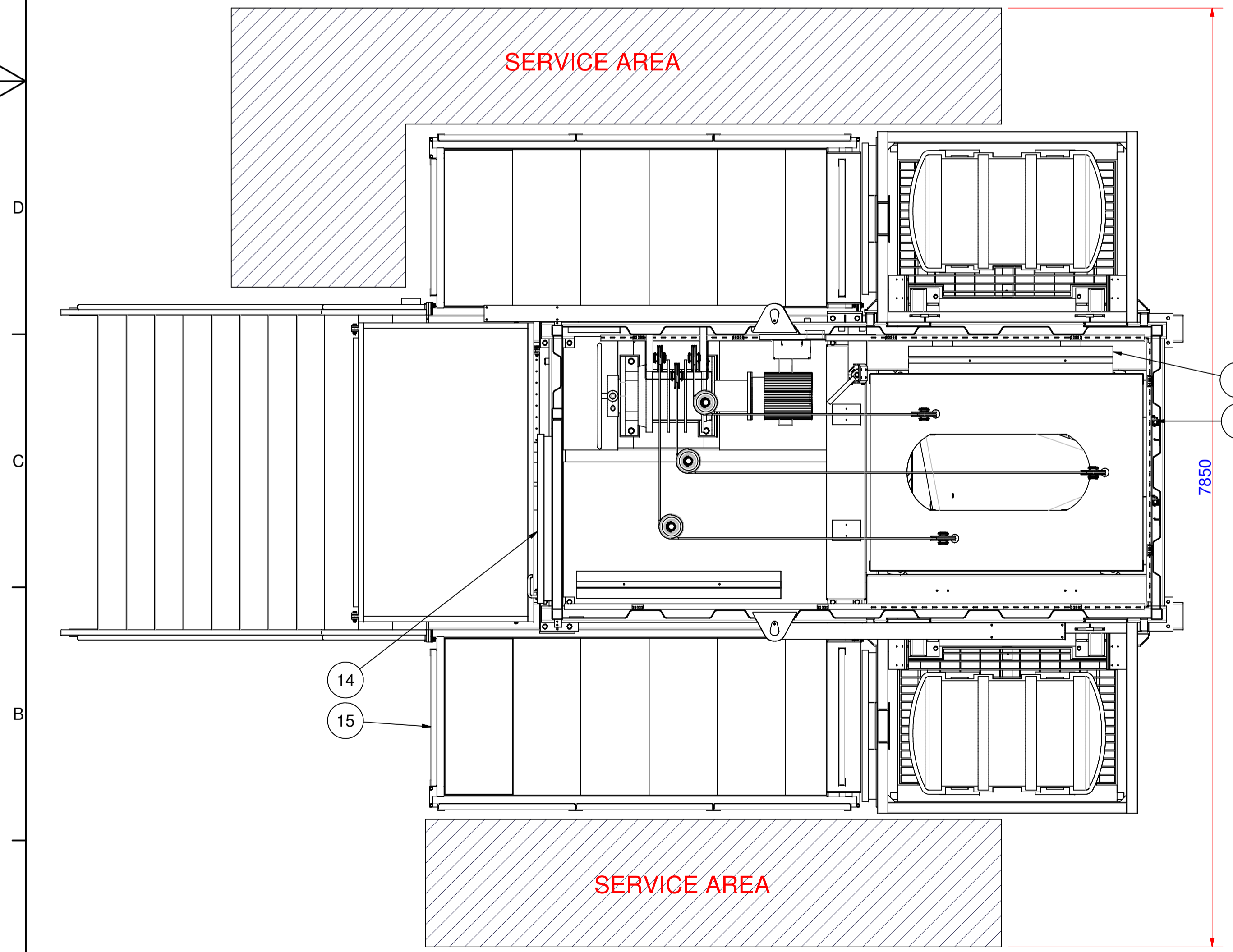
DETAIL A (1:5)



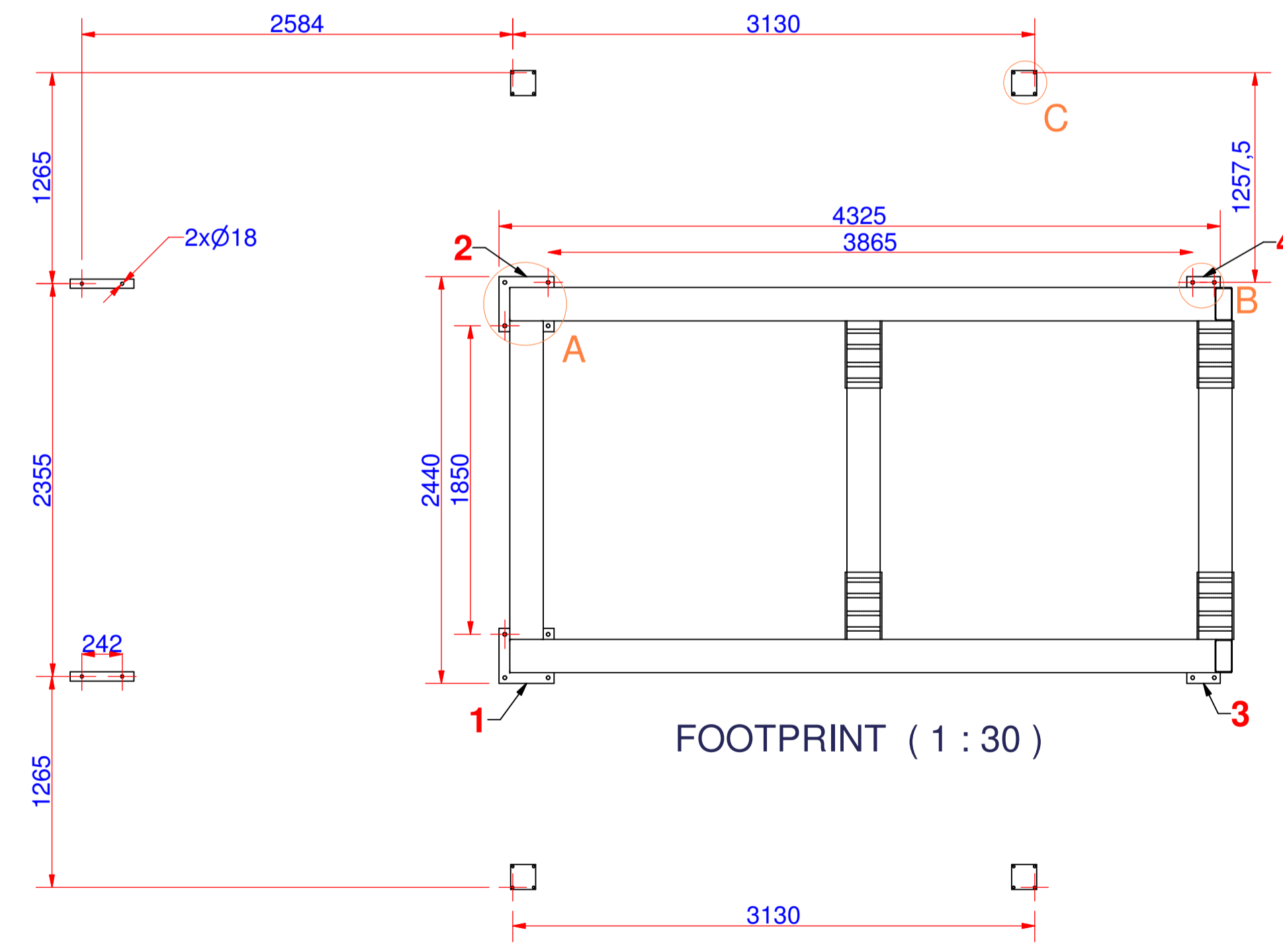
DETAIL C (1:5)



DETAIL B (1:5)



ROOF AND UPPER FRAME REMOVED



FOOTPRINT (1:30)

ITEM	QTY	DESCRIPTION	TAG Nr.	KEYWORDS
1	1	General Assembly		
2	1	Stabilising Weight		
3	1	Cover Plate		
4	2	Service Rail		
5	1	Junction Box		
6	1	Start/Stop Switch		
7	2	Limit Switch		
8	2	Light Fixture		
9	1	Winch El. Engine		
10	1	Winch		
11	4	Life Rafts		2x35 Pers. A-Pack
12	1	Boarding Platform		35 Pers.
13	1	Chute		38 Cells
14	1	Door		
15	2	Door		
16	1	Movable Frame		
17	1	Hydraulic Cylinder		
18	2	Accumulator 32L		
19	1	Oil Tank & El. Engine		
20	2	Walkway		
21	10	Handrail 1000		Viking Standard
22	1	Stairs		

Rev.	Date	Description	Rev. by	Appr. by
0	16.11.07	Issued For Fabrication	frjo	kakr

Copyright of VIKING LIFE-SAVING EQUIPMENT, Norway, whose property this document remains. No part thereof may be disclosed, copied, duplicated or in any other way made use of, except with the approval of VIKING LIFE-SAVING EQUIPMENT, Norway.

PROJECT NAME: 980033

VIKING Life-Saving Equipment Norge AS
Idrettsveien, Straume Næringspark N-5353 Straume, Norway
Tel: +47 815 00 350 Fax: +47 56 32 61 10 bergem@viking-life.com www.viking-life.com

Date: 16.11.2007 Designer: FRJO Appr.: KAKR Reference: C02-046
Substitute for: Substituted by: Sheet size: A1
Drawing no.: Rev.: Scale: 1:25

General Arrangement Movable Frame SES-2A 2006 Id. No.: 77390 Parts no.: