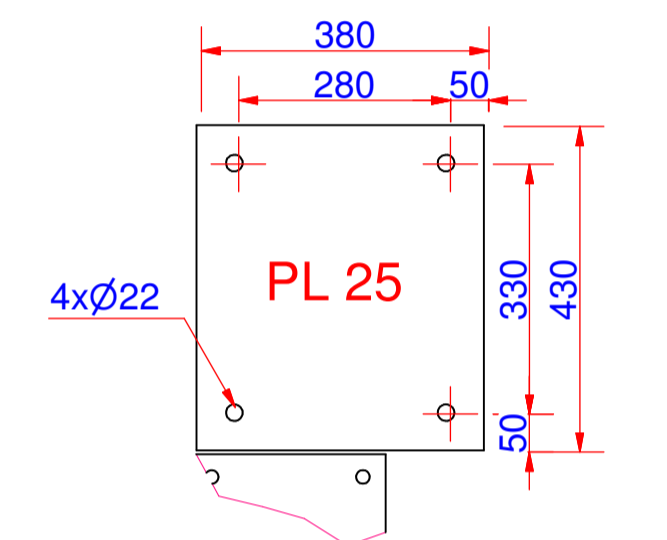
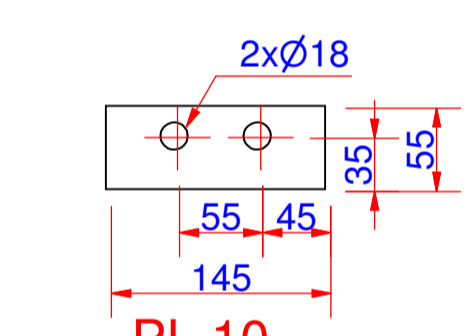


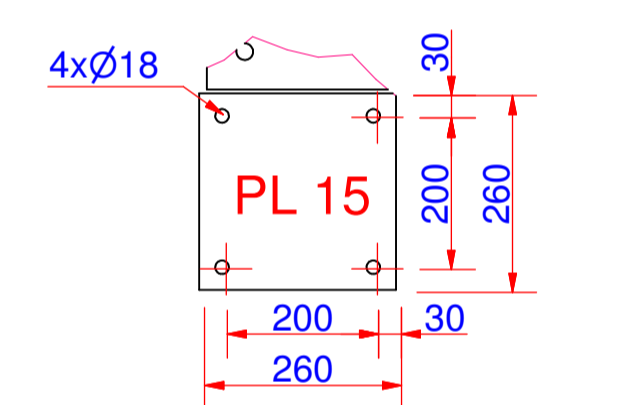
Max downward load on each fundament (A) = 215 kN
 Max upward load on each fundament (A) = 101 kN



DETAIL A (1 : 10)



DETAIL C (1 : 5)



DETAIL B (1 : 10)

Approximate System Dry weight: 10510 kg

ITEM	QTY	DESCRIPTION	Parts List	TAG Nr.	KEYWORDS
1	1	E12-183 General Assembly			
2	1	Stabilising Weight			
3	1	Cover Plate			
4	1	Clamp Assembly			
5	1	Junction Box			
6	1	Start/Stop Switch			
7	1	Limit Switch			
8	1	Light Fixture			
9	1	Winch El. Motor			
10	1	Winch			
11	4	Life Rafts			35 pers. A-Pack
12	1	Boarding Platform			35 pers.
13	1	Chute			37,5 m
14	1	Cable Entrance			
15	1	Door Arrangement			
16	2	Earthing Boss			
17	1	Sliding Frame			

0	13.09.08	For Project info.	UA	KKR
Rev.	Date	Description	Rev. by	Appr. by

Copyright of VIKING LIFE-SAVING EQUIPMENT, Norway, whose property this document remains. No part thereof may be disclosed, copied, duplicated or in any other way made use of, except with the approval of VIKING LIFE-SAVING EQUIPMENT, Norway.

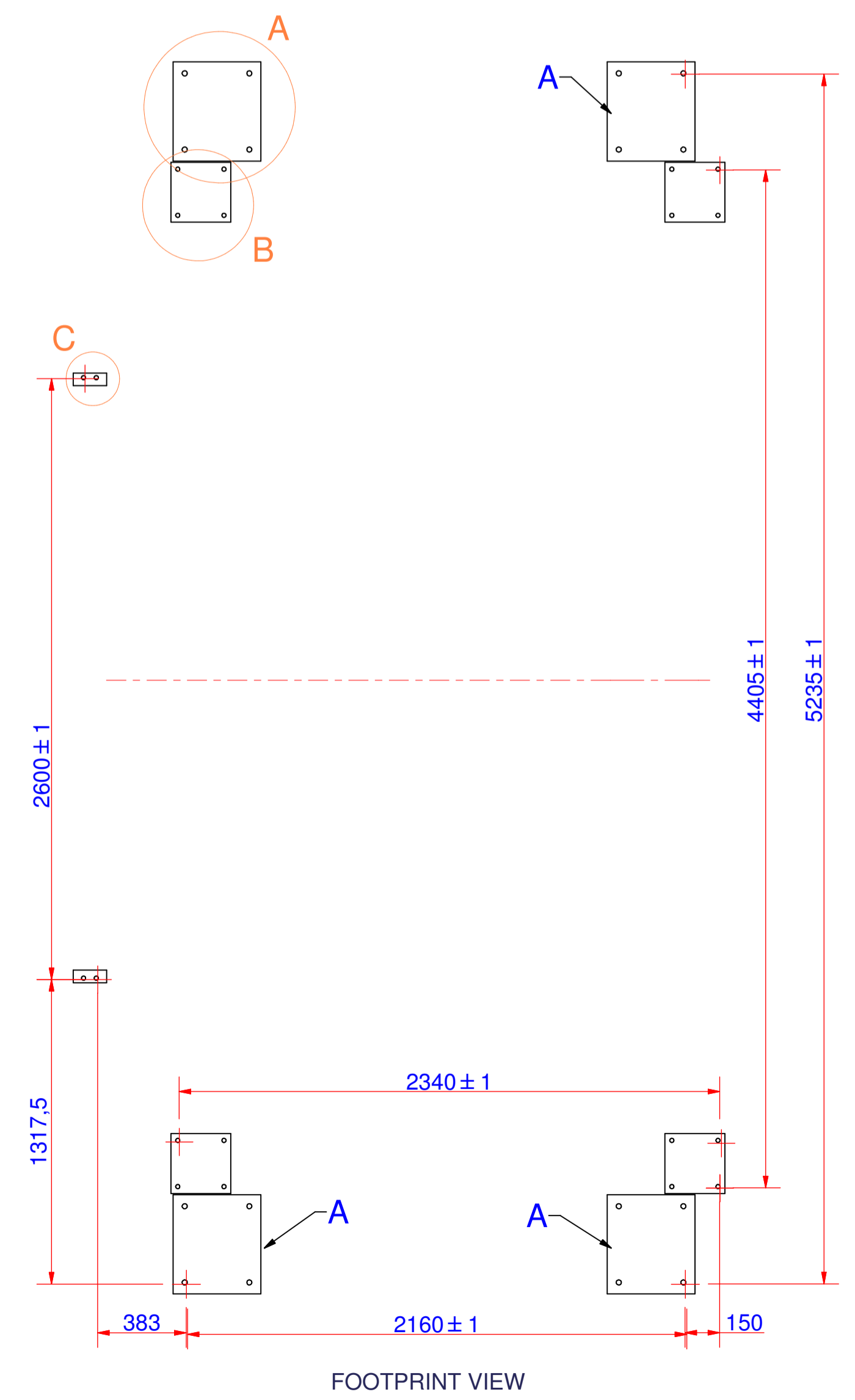
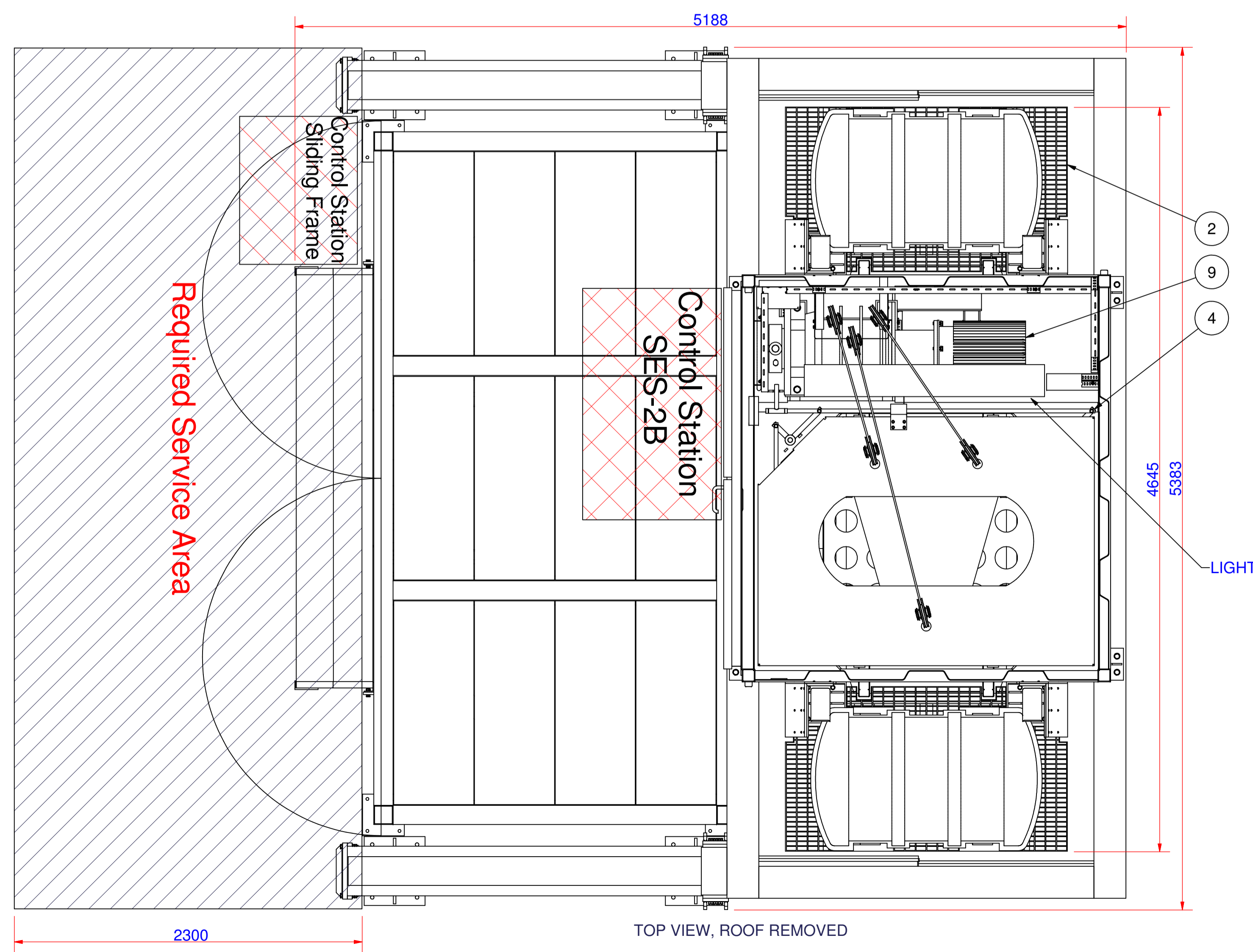
PROJECT NAME: 980035

VIKING Life-Saving Equipment Norge AS
 Idrettsveien, Straume Næringspark N-5353 Straume, Norway
 Tel: +47 815 00 350 Fax: +47 56 32 61 10 bergen@viking-life.com www.viking-life.com

Date: 13.02.09 Designer: frjo Appr.: ivdi Reference: 80562 Substituted by: 80562 Rev.: 0 Sheet size: A1 Scale: 1:20

80562 980035-C02-049 0 1:20

General Arrangement
 SES-2B 2007 with Sliding Frame



FOOTPRINT VIEW