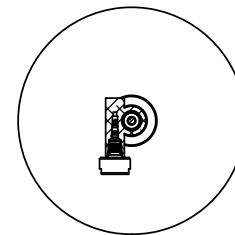
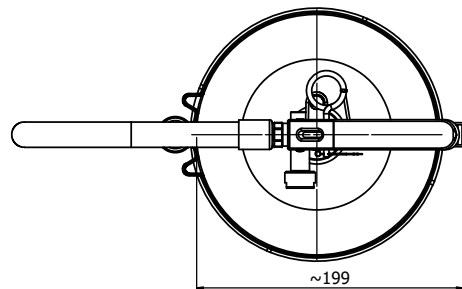
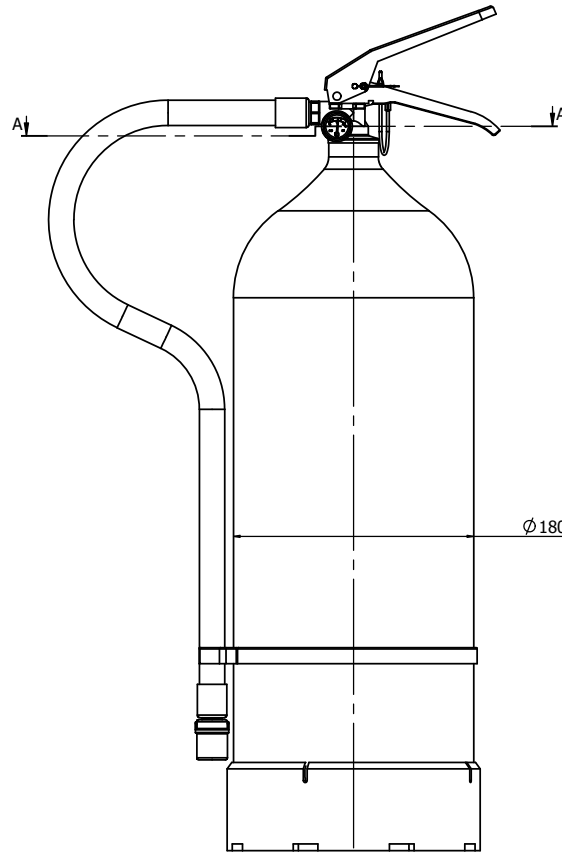
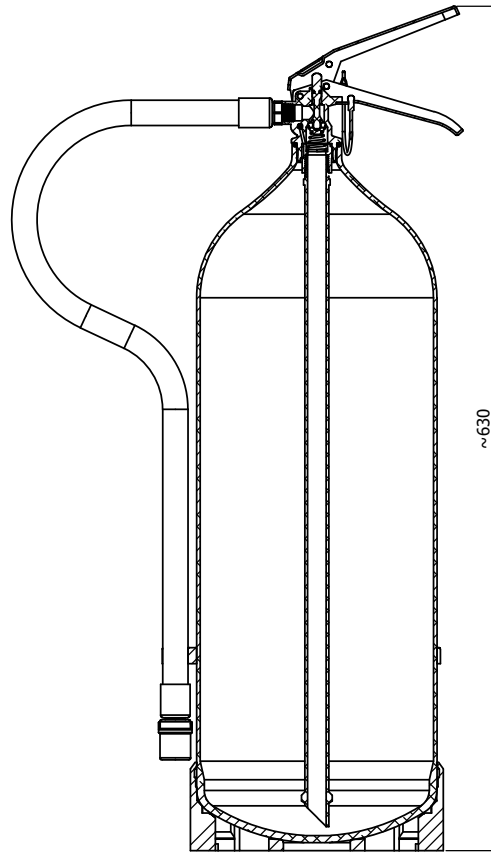


Note: label according to customer requirements: code 09.896F.F000.00 is for unlabeled extinguisher.
 Nota: etichetta secondo richiesta del cliente: il codice 09.896F.F000.00 vale per l'estintore neutro.
 Nota: étiquette suivant demande du client: le code 09.896F.F000.00 est valable pour l'extincteur neutre.



Section: A-A

FS9-LHF - 9LT FOAM ABF SP



an ANAFGROUP company

		ANAFGROUP							
B	Variation extinguisher	FL	DR	YA	=	12.29 kg	FS9-LHF		
	Variatione estinguitore						Estintore assemblé		
	Variation of extinction						Assemble estintore		
	Variation of extinguishing						Assemble extinguitore		
C	FL alignment	FL	DR	YA	=	1:2			
	Allineamento FPM								
A1	Alignment FPM								
	Alignement FPM								